

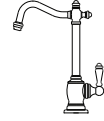
# FILTRATION FAUCET INSTALLATION INSTRUCTIONS

Filtration Model #s:

- 1100H      1425H
- 1100C      1425C
- 1100HC    1425HC
- 1150H      1700H
- 1150C      1700C
- 1150HC    1700HC
- 1200H      1750H
- 1200C      1750C
- 1200HC    1750HC
- 1250H      1900H
- 1250C      1900C
- 1250HC    1900HC
- 1400H
- 1400C
- 1400HC



1100H



1100C



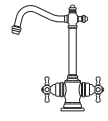
1100HC



1150H



1150C



1150HC



1200H



1200C



1200HC



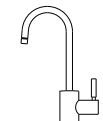
1250H



1250C



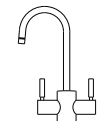
1250HC



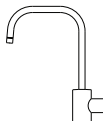
1400H



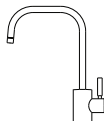
1400C



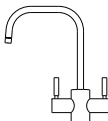
1400HC



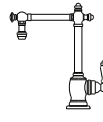
1425H



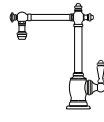
1425C



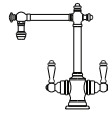
1425HC



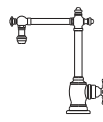
1700H



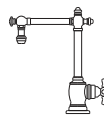
1700C



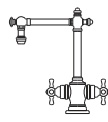
1700HC



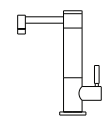
1750H



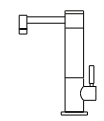
1750C



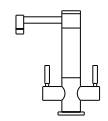
1750HC



1900H



1900C

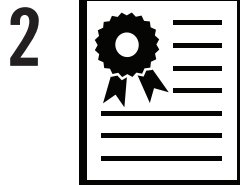


1900HC

## BEFORE YOU BEGIN YOUR INSTALLATION:



Turn off water supply.



Observe all local plumbing codes.



Inspect waste and water supplies for signs of damage. Replace as necessary.



DO NOT use petroleum based products on this faucet.

### REQUIRED TOOLS:



1. Adjustable Wrench

### PARTS INCLUDED:

*\*XX represents finish*

**COLD ONLY**  
**HK-CFF-XX\***  
**COLD ONLY FILTRATION**  
**HARDWARE KIT**

**HOT ONLY**  
**HK-FBF-XX\***  
**HOT ONLY FILTRATION**  
**HARDWARE KIT**

**HOT / COLD**  
**HK-FBF-XX\***  
**HOT/COLD FILTRATION**  
**HARDWARE KIT**

## LIFETIME WARRANTY

All Waterstone products manufactured by Waterstone carry a **Limited Lifetime Guarantee** against functional defect in material or workmanship in a residential application. Consult with an authorized Waterstone dealer for complete information about our warranty.

**WARNING** - Since 2005, Waterstone has continued to advise all of our customers against the installation of any brand of in-line water chiller unit with our faucets. Compressor style chiller units have been proven to arbitrarily exceed the standard household in line pressure ratings causing the faucet inlet connection line to burst and create the potential for water damage claims in the field.

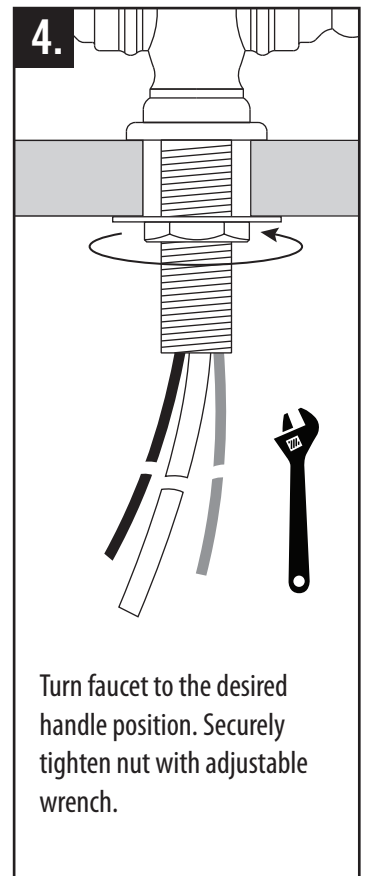
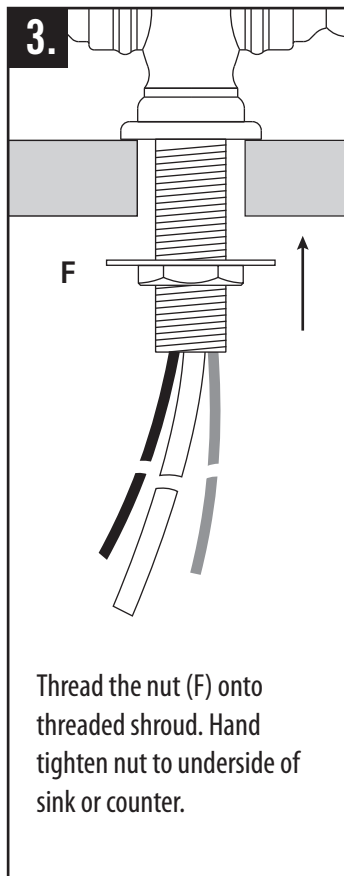
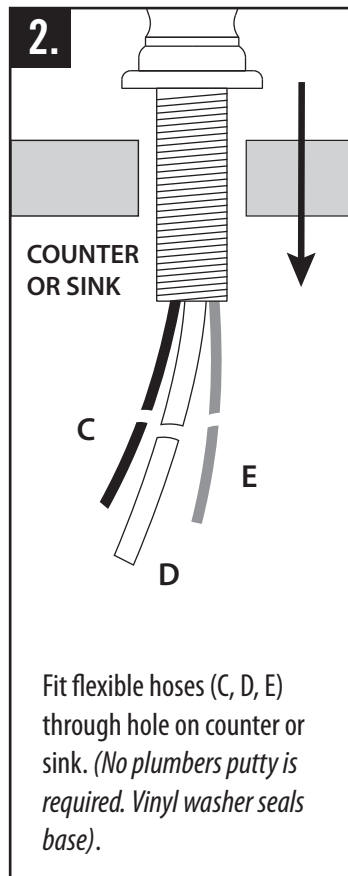
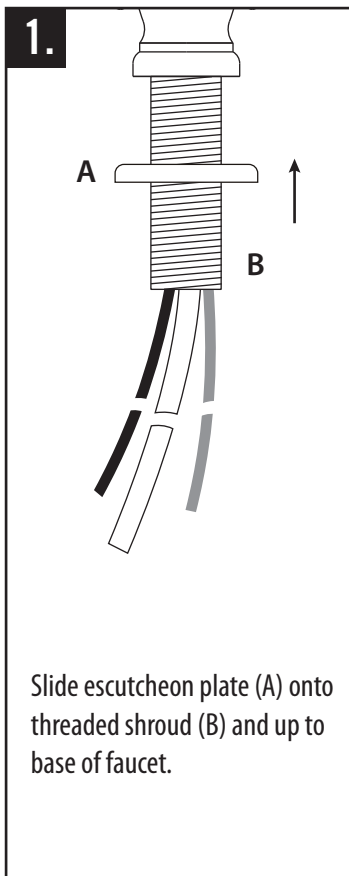
**USE OF AN IN-LINE INSTALLATION OF A WATER CHILLER WITH A WATERSTONE FAUCET OF ANY KIND WILL VOID OUR WARRANTY.**

Waterstone can not and will not be held liable for damages created by a use for which our products were not designed. Waterstone will only recommend the installation of a water chiller in the vented side (in place of a hot tank) with one of our Hot or Hot & Cold Filtration faucet models.

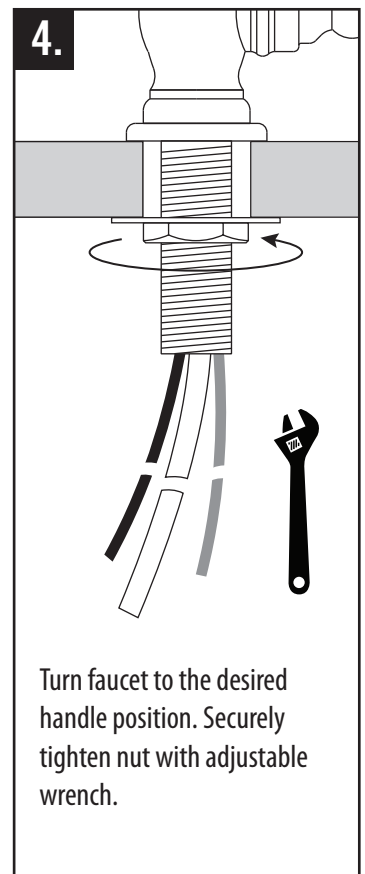
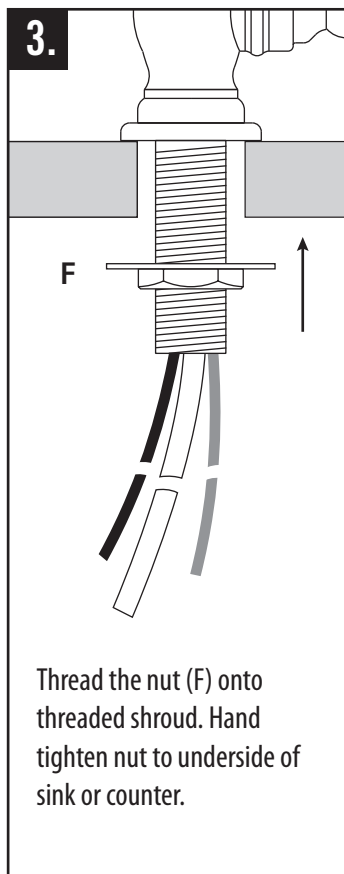
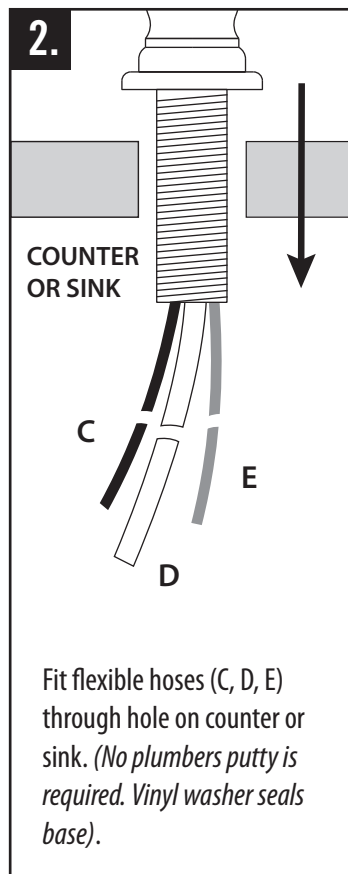
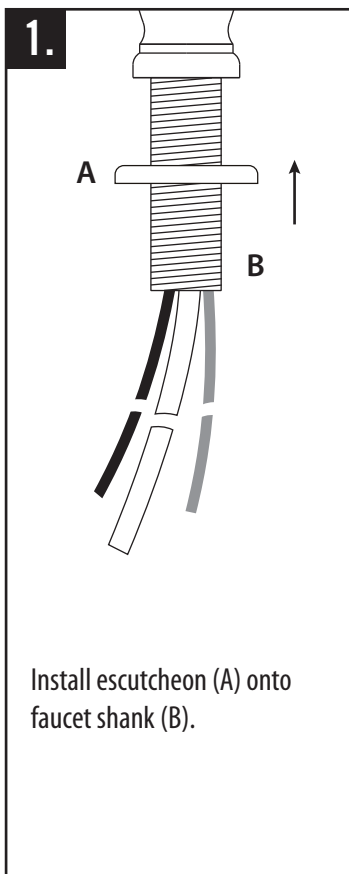
For any questions or concerns about your faucet's warranty, contact Waterstone.

Waterstone Faucets  
 41180 Raintree Court • Murrieta, CA 92562  
 1-888-304-0660  
 www.waterstoneco.com

## HOT AND COLD FILTRATION FAUCET INSTALLATION



## HOT ONLY FILTRATION FAUCET INSTALLATION



# COLD ONLY FILTRATION FAUCET INSTALLATION

**1.**

Slide escutcheon plate (A) onto threaded shroud (B) and up to base of faucet.

**2.**

COUNTER OR SINK

Fit faucet shank through hole on counter or sink. (No plumbers putty is required. Vinyl washer seals base).

**3.**

Slide large washer (C) and star lock washer (D) onto shank. Thread the nut (E) and hand tighten underside of sink or counter.

**4.**

Turn faucet to the desired handle position. Securely tighten nut with adjustable wrench.

**5.**

Slide compression nut (F) over end of supply tube. Slide ferrule (G) onto end of supply tube, long tapered end first.

EXTEND 1/4"

Slide ferrule until 1/4" of tubing is showing out the end.

**6.**

Insert extended portion of tubing and tighten compression nut to end of faucet shank with wrench.