

### SPECIFICATIONS:

**MODEL NUMBER:** 8000-933-250

**PUMP DESIGN:** Positive Displacement 3 Chamber Diaphragm Pump

**CAM:** 3.0 Degree

**MOTOR:** Permanent Magnet, P/N 11-150-00, Thermally Protected

**VOLTAGE:** 115 VAC Nominal

**PRESSURE SWITCH:** None

**LIQUID TEMPERATURE:** 180 Degrees Fahrenheit (82 Degrees Centigrade) Max.

**PRIME:** Self-Priming Up To 14.0 Ft. Vertical,  
Max. Inlet Pressure 30 PSI (2.1 Bar)

**PORTS:** 3/8"-18 NPT Female

**MATERIAL OF CONSTRUCTION:**

**PLASTICS-** Nylon

**VALVES-** EPDM

**DIAPHRAGM-** Santoprene

**FASTENERS-** Zinc Plated Steel

**NET WEIGHT:** 3.85 Lbs (1.75 Kg)

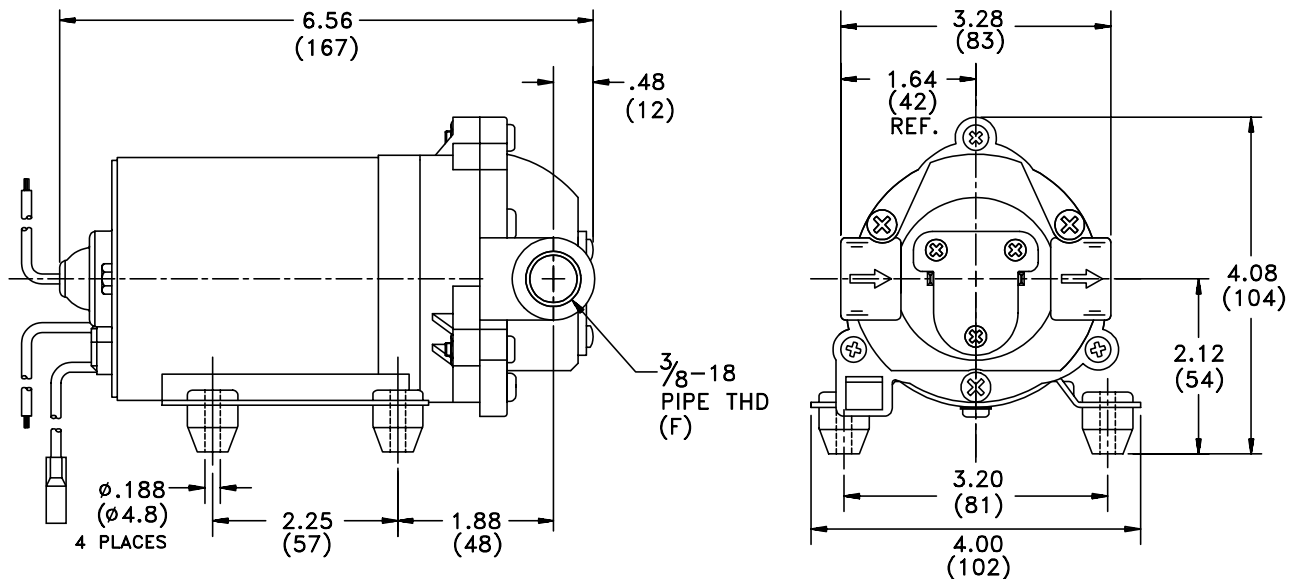
**DUTY CYCLE:** Intermittent (See Temperature Rise Chart)

**TYPICAL APPLICATIONS:** Soil Extraction

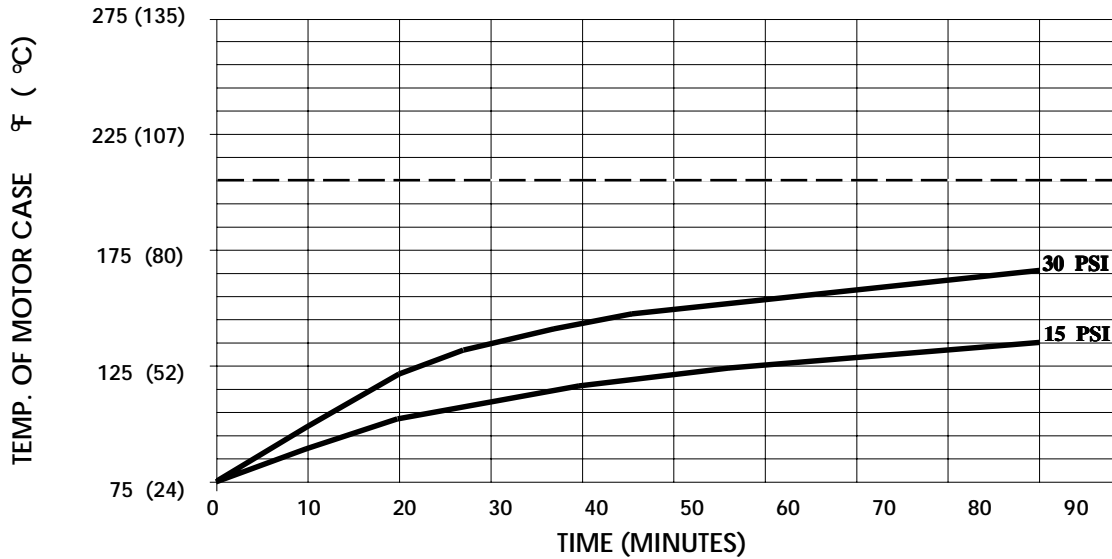
**BYPASS:** 60 PSI Max.

**APPROVALS:** UL/CSA Recognized Component

### DIMENSIONS:



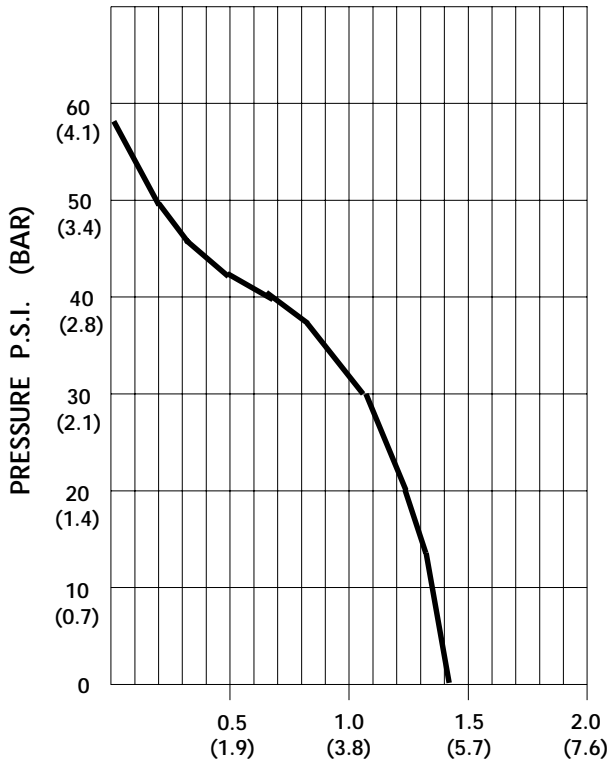
**TEMPERATURE RISE**



THIS GRAPH IS FOR USE AS A DESIGN GUIDE. IT IS BASED ON RUNNING CONTINUOUSLY WITH AN AMBIENT TEMPERATURE OF 75 °F IN STILL AIR. THE THERMAL BREAKER WILL OPEN WHEN THE CASE TEMPERATURE REACHES 190° F.

[- - - - - TRIP POINT OF THERMAL PROTECTOR]

**TYPICAL PERFORMANCE**



PRESSURE (PSI)	FLOW (GPM/LIT)	RPM MIN/MAX	CURRENT (AMPS)	VOLTAGE (VOLTS)
OPEN	<b>1.40/5.3</b>	<b>2221/2245</b>	<b>0.28</b>	<b>115VAC</b>
10	<b>1.36/5.1</b>	<b>2100/2125</b>	<b>0.34</b>	"
20	<b>1.21/4.6</b>	<b>1960/1990</b>	<b>0.41</b>	"
30	<b>1.05/4.0</b>	<b>1850/1870</b>	<b>0.46</b>	"
40	<b>0.65/2.5</b>	<b>1770/1870</b>	<b>0.51</b>	"
50	<b>0.19/0.7</b>	<b>1700/1800</b>	<b>0.54</b>	"

FLOW - GALLONS PER MINUTE (LITERS PER MINUTE)

*-SPECIFICATIONS SUBJECT TO CHANGE WITHOUT NOTICE.*

*-ALL DATA BASED ON TESTING WITH WATER AT AMBIENT TEMPERATURE.*