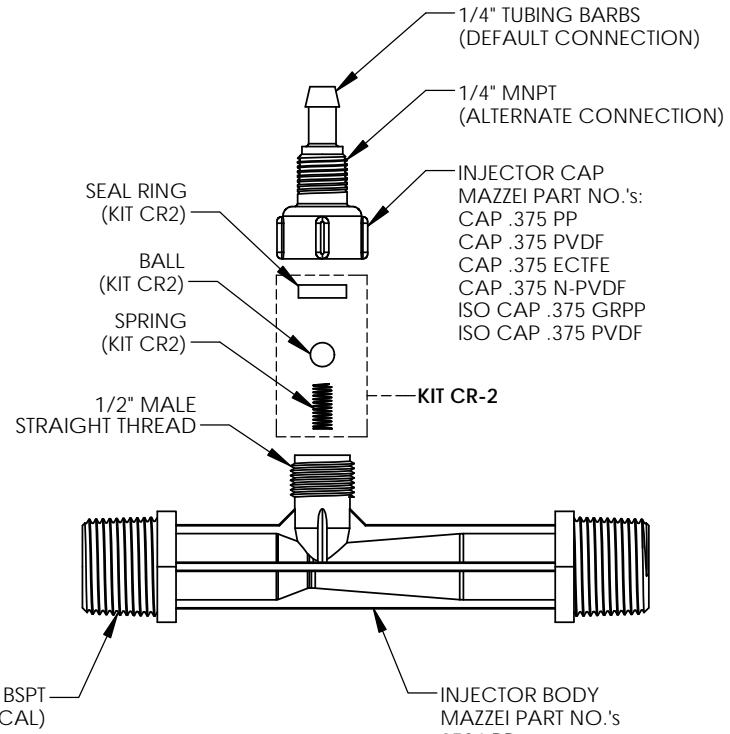


NOTES:

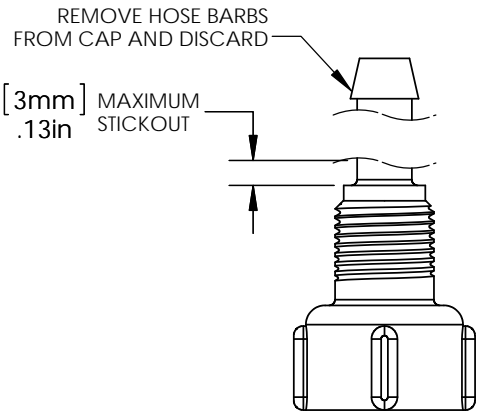
1. MADE IN THE U.S.A.
2. U.S. PATENT No. 5,863,128
3. U.S. No. 3,852,076 AND INTERNATIONAL REGISTERED TRADEMARKS
4. MATERIAL: GLASS FILLED POLYPROPYLENE (PP) OR POLYVINYLIDENE FLUORIDE (PVDF) OR ETHYLENE CHLOROTRIFLUOROETHYLENE (ECTFE)
5. INLET/OUTLET CONNECTION:  
1/2" OR 3/4" MNPT OR BSPT
6. SUCTION PORT CONNECTION:  
  
DEFAULT - 1/4" I.D. TUBING BARB WITH INTEGRATED CHECK VALVE  
  
ALTERNATE - 1/4" MNPT - SEE ALTERNATE CAP MODIFICATION DETAIL
7. FOR INSTALLATION RECOMMENDATIONS REFER TO MAZZEI TECHNICAL BULLETINS No. 4, No. 5, No. 6, No. 10 AND No. 11, WHICH CAN BE FOUND IN THE "KNOWLEDGE CENTER" AT WWW.MAZZEI.NET.
8. MAZZEI INJECTOR CO., LLC.  
500 ROOSTER DR.  
BAKERSFIELD, CA 93307  
TEL: 661.363.6500  
WEB: WWW.MAZZEI.NET



INJECTOR CAP  
MAZZEI PART NO.'s:  
CAP .375 PP  
CAP .375 PVDF  
CAP .375 ECTFE  
CAP .375 N-PVDF  
ISO CAP .375 GRPP  
ISO CAP .375 PVDF

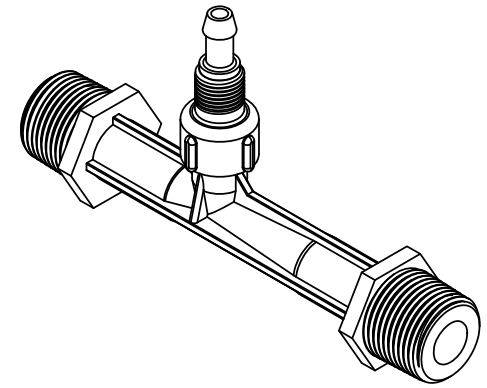
INJECTOR BODY  
MAZZEI PART NO.'s:  
0584 PP  
0584 PVDF  
0584 N-PVDF  
0584 ECTFE  
ISO 0584 GRPP  
ISO 0584 PVDF  
ISO 0584 ECTFE

KIT CR-2	
TITLE	MATERIAL
BALL	TEFLON ® (PTFE)
SEAL RING	KEL-F ® (PCTFE)
SPRING	HASTELLOY C-22

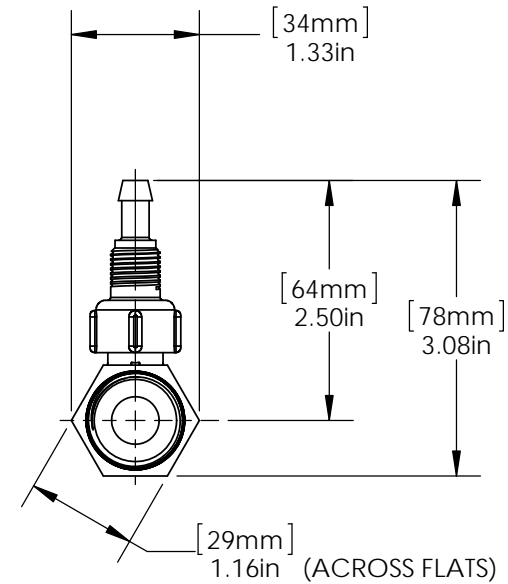
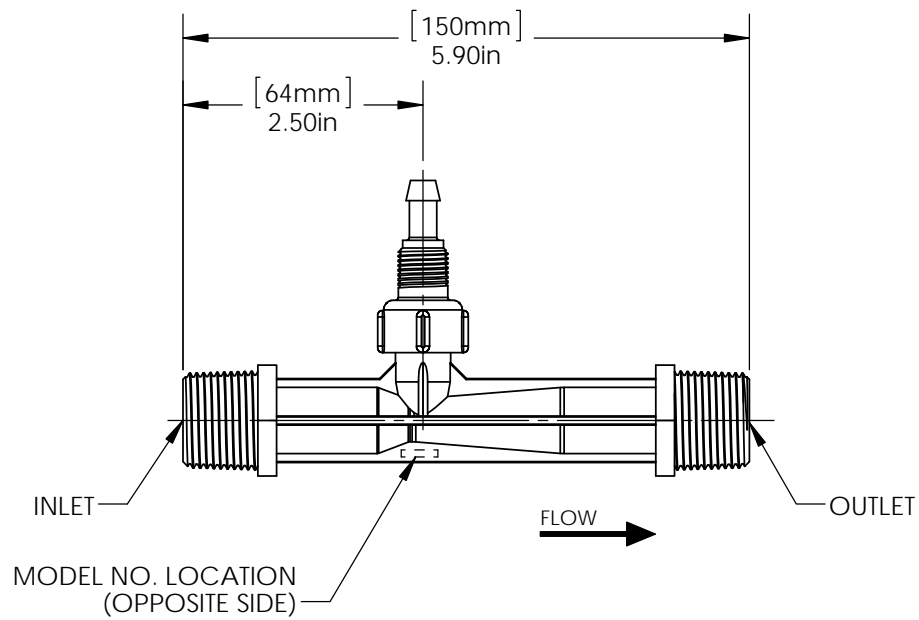


"CAP MODIFICATION DETAIL"  
(ALTERNATE)

UNLESS OTHERWISE SPECIFIED DIMENSIONS ARE IN INCHES			TITLE: 3/4" INJECTOR; MODEL 0584			
DRAWN:	G. NOVINS		DRAWING NO.:			
DATE:	7/17/2014	0584 PP/PVDF/ECTFE				
APPROVED:	T. JOHNS	SIZE: A	WEIGHT: N/A	SCALE: 1:2	REV.: NC	SHEET: 1 OF 2



(ISOMETRIC VIEW)  
(FOR REFERENCE ONLY)



UNLESS OTHERWISE SPECIFIED DIMENSIONS ARE IN INCHES			TITLE: 3/4" INJECTOR; MODEL 0584		
DRAWN: G. NOVINS	DATE: 7/17/2014		DRAWING NO.: 0584 PP/PVDF/ECTFE		
APPROVED: T. JOHNS	SIZE: A	WEIGHT: N/A	SCALE: 1:2	REV.: NC	SHEET: 2 OF 2



**Injector Performance Table**  
**Water Suction Capacity**

Operating Pressure PSIG		WATER SUCTION		Operating Pressure PSIG		WATER SUCTION		
Injector INLET	Injector OUTLET	Motive Flow GPM	Water Suction GPH	Injector INLET	Injector OUTLET	Motive Flow GPM	Water Suction GPH	
5	0	2.1	29.1	60	0	7.2	26.4	
	1		28.9		5		26.4	
	2		28.4		10		26.3	
	3		25.3		15		26.3	
	4		*(4.4)		9.9		20	26.2
10	0	3.0	28.2		30		25.3	
	2		28.1		35		23.8	
	5		27.4		40		20.0	
	7		13.2		45		*(53.5)	14.4
	8		*(9.0)		10.9		70	0
15	0	3.6	28.1	5	25.8			
	5		27.9	10	25.9			
	7		28.0	15	25.9			
	10		13.9	20	25.8			
20	12	*(13.5)	11.0	30	25.6			
	0	4.2	24.8	40	25.6			
	5		24.8	45	23.3			
	10		23.7	50	16.7			
	12		19.1	55	*(63.0)	9.0		
15	*(18.0)		14.5	80	0	8.4	26.2	
25	0	4.7	25.1		5		26.2	
	5		25.2		10		26.2	
	10		25.1		15		26.2	
	15		20.8		20		26.3	
	20		*(22.0)		12.1		30	26.2
30	0	5.1	25.3	40	26.3			
	5		25.3	50	25.0			
	10		24.9	60	17.1			
	15		25.1	65	*(72.5)	7.8		
	20		18.2	90	0	8.9	27.0	
25	*(27.0)	11.5	5		27.0			
35	0	5.5	25.5		10		27.0	
	5		25.5		20		27.4	
	10		25.4		30		27.2	
	15		25.2		40		27.2	
	20		21.9	50	27.2			
40	25	*(31.5)	16.5	60	24.4			
	0	5.9	25.6	70	13.2			
	5		25.5	75	*(80.5)	5.2		
	10		25.6	100	0	9.3	28.7	
	15		25.5		5		28.7	
20	25.2		10		28.7			
25	21.3	20	29.2					
30	*(35.5)	15.0	30		29.0			
45	0	6.3	25.8		40		28.8	
	5		25.9	50	28.8			
	10		25.9	60	28.4			
	15		25.8	70	23.3			
	20		25.7	80	*(90.0)	16.8		
	25		23.5	120	0	10.2	32.1	
	30		19.4		5		32.1	
35	*(40.0)	10	32.1					
0	6.6	25.5	20		32.1			
5		25.5	30		32.1			
10		25.5	40		31.8			
15		25.5	50	31.8				
20		25.4	60	31.6				
25		24.4	70	31.6				
30	21.5	80	28.6					
35	15.7	90	17.1					
40	*(45.0)	2.8	100	*(107)				

Copyright© 2014 REV August 2014

Mazzei Injector Company, LLC  
 500 Rooster Drive, Bakersfield, CA 93307-9555 USA

TEL 661.363.6500 • FAX 661.363.7500 • www.mazzei.net

*\*NUMBERS IN PARENTHESIS indicate the injector outlet pressure when suction stops (Zero Suction Point).*

**Model 584**



Operating Pressure kg/cm <sup>2</sup>		WATER SUCTION		Operating Pressure kg/cm <sup>2</sup>		WATER SUCTION	
Injector Inlet	Injector Outlet	Motive Flow l/min	Water Suction l/hr	Injector Inlet	Injector Outlet	Motive Flow l/min	Water Suction l/hr
0.35	0.00	7.9	110	4.22	0.00	27.4	100
	0.07		109		0.35		100
	0.14		107		0.70		99.9
	0.21		96.0		1.05		99.9
	0.28		37.8		1.41		99.1
0.70	0.00	11.2	107		2.11		96.0
	0.14		106		2.46		90.2
	0.35		103		2.81		76.0
	0.49		50.2		3.16		54.5
	0.56		41.6		4.92		0.00
0.00	106	0.35	97.9				
0.35	105	0.70	98.1				
0.49	106	1.05	98.1				
0.70	52.9	1.41	97.8				
1.05	0.84	13.7	41.8	2.11		97.2	
	0.00		93.9	2.81		96.9	
	0.35		94.0	3.16		88.4	
	0.70		89.7	3.52		63.3	
	0.84		72.5	3.87		34.3	
1.41	1.05	15.8	55.2	5.62	0.00	31.6	99.1
	0.00		95.3		0.35		99.1
	0.35		95.4		0.70		99.1
	0.70		95.1		1.05		99.1
	1.05		78.8		1.41		99.5
1.76	1.41	17.7	46.1		2.11		99.3
	0.00		95.8		2.81		99.6
	0.35		96.0		3.52		94.7
	0.70		94.4		4.22		64.9
	1.05		95.3		4.57		29.7
2.11	1.41	19.4	69.0	6.33	0.00	33.6	102
	1.76		43.7		0.35		102
	0.00		96.6		0.70		102
	0.35		96.6		1.41		103
	0.70		96.2		2.11		103
2.46	1.05	20.9	95.6		2.81		103
	1.41		83.0		3.52		103
	1.76		62.4		4.22		92.3
	0.00		97.0		4.92		50.1
	0.35		96.8		5.27		19.8
2.81	0.70	22.4	96.9	7.03	0.00	35.4	108
	1.05		96.5		0.35		108
	1.41		95.5		0.70		108
	1.76		80.7		1.41		110
	2.11		56.9		2.11		109
3.16	0.00	23.7	98.0		2.81		109
	0.35		98.3		3.52		109
	0.70		98.2		4.22		107
	1.05		97.9		4.92		88.3
	1.41		97.4		5.62		63.8
3.52	1.76	25.0	89.3	8.44	0.00	38.7	121
	2.11		73.4		0.35		121
	2.46		51.2		0.70		121
	0.00		96.8		1.41		121
	0.35		96.8		2.11		121
0.70	96.8	2.81	120				
1.05	96.6	3.52	120				
1.41	96.2	4.22	119				
1.76	92.5	4.92	119				
2.11	81.6	5.62	108				
2.46	59.6	6.33	65.0				
2.81	10.7	7.03					



**Injector Performance Table**  
**Air Suction Capacity**

Operating Pressure PSIG		AIR SUCTION		Operating Pressure PSIG		AIR SUCTION	
Injector INLET	Injector OUTLET	Motive Flow GPM	Air Suction SCFH	Injector INLET	Injector OUTLET	Motive Flow GPM	Air Suction SCFH
<b>5</b>	0	<b>2.0</b>	8.8	<b>60</b>	0	<b>6.9</b>	36.2
	1		3.2		5		26.7
	2		1.2		10		21.0
	3		0.73		15		13.6
	4		0.31		20		10.0
<b>10</b>	0	<b>2.8</b>	14.6		30		5.7
	2		5.9		35		4.3
	5		1.7		40		2.8
	7		0.77		45		2.0
	8		0.50				
<b>15</b>	0	<b>3.5</b>	17.4	<b>70</b>	0	<b>7.5</b>	36.6
	5		4.6		5		28.8
	7		2.7		10		23.6
	10		0.98		15		17.2
	12		0.49		20		12.8
<b>20</b>	0	<b>4.0</b>	20.5		30		8.0
	5		8.2		40		4.6
	10		2.9		45		3.8
	12		1.7		50		2.7
	15		0.88		55		1.7
<b>25</b>	0	<b>4.5</b>	23.1	<b>80</b>	0	<b>8.0</b>	38.0
	5		10.5		5		31.0
	10		4.8		10		26.2
	15		1.9		15		21.9
	20		0.74		20		16.0
<b>30</b>	0	<b>4.9</b>	26.1		30		10.4
	5		13.6		40		7.1
	10		6.7		50		4.6
	15		3.3		60		2.6
	20		1.8		65		1.7
<b>35</b>	0	<b>5.3</b>	28.4	<b>90</b>	0	<b>8.5</b>	38.5
	5		18.5		5		32.7
	10		9.3		10		28.9
	15		5.2		20		19.7
	20		2.7		30		12.9
<b>40</b>	0	<b>5.7</b>	30.7		40		8.8
	5		19.4		50		5.8
	10		10.9		60		3.8
	15		6.9		70		2.2
	20		4.2		75		1.7
<b>45</b>	0	<b>6.0</b>	31.6	<b>100</b>	0	<b>9.0</b>	39.2
	5		21.5		5		35.2
	10		12.6		10		30.3
	15		9.4		20		23.1
	20		5.8		30		14.4
<b>50</b>	0	<b>6.3</b>	33.1		40		11.0
	5		22.5		50		7.6
	10		16.0		60		5.2
	15		10.3		70		3.3
	20		7.6		80		2.0
<b>55</b>	0	<b>6.6</b>	34.6	<b>120</b>	0	<b>9.8</b>	40.3
	5		24.0		5		38.4
	10		17.4		10		33.5
	15		11.7		20		27.5
	20		9.0		30		18.5
<b>60</b>	0	<b>6.9</b>	36.1		40		13.9
	5		25.5		50		10.8
	10		18.9		60		7.6
	15		13.2		70		6.2
	20		10.5		80		4.3
<b>65</b>	0	<b>7.2</b>	37.6	90	3.1		
	5		26.9	100	1.8		
	10		20.3				
	15		14.6				
	20		11.0				
<b>70</b>	0	<b>7.5</b>	39.1				
	5		28.4				
	10		21.8				
	15		16.1				
	20		12.5				
<b>75</b>	0	<b>7.8</b>	40.6				
	5		29.9				
	10		23.3				
	15		17.6				
	20		14.0				
<b>80</b>	0	<b>8.1</b>	42.1				
	5		31.4				
	10		24.8				
	15		19.1				
	20		15.5				
<b>85</b>	0	<b>8.4</b>	43.6				
	5		32.9				
	10		26.3				
	15		20.6				
	20		17.0				
<b>90</b>	0	<b>8.7</b>	45.1				
	5		34.4				
	10		27.8				
	15		22.1				
	20		18.5				
<b>95</b>	0	<b>9.0</b>	46.6				
	5		35.9				
	10		29.3				
	15		23.6				
	20		20.0				
<b>100</b>	0	<b>9.3</b>	48.1				
	5		37.4				
	10		30.8				
	15		25.1				
	20		21.5				
<b>105</b>	0	<b>9.6</b>	49.6				
	5		38.9				
	10		32.3				
	15		26.6				
	20		23.0				
<b>110</b>	0	<b>9.9</b>	51.1				
	5		40.2				
	10		33.6				
	15		27.9				
	20		24.3				
<b>115</b>	0	<b>10.2</b>	52.6				
	5		41.7				
	10		35.1				
	15		29.4				
	20		25.8				
<b>120</b>	0	<b>10.5</b>	54.1				
	5		43.2				
	10		36.6				
	15		30.9				
	20		27.3				

Copyright© 2014 REV August 2014

Mazzei Injector Company, LLC  
 500 Rooster Drive, Bakersfield, CA 93307-9555 USA

TEL 661.363.6500 • FAX 661.363.7500 • www.mazzei.net

*\*NUMBERS IN PARENTHESIS indicate the injector outlet pressure when suction stops (Zero Suction Point).*

**Model 584**



Operating Pressure kg/cm <sup>2</sup>		AIR SUCTION		Operating Pressure kg/cm <sup>2</sup>		AIR SUCTION	
Injector INLET	Injector OUTLET	Motive Flow l/min	Air Suction l/min	Injector INLET	Injector OUTLET	Motive Flow l/min	Air Suction l/min
<b>0.35</b>	0.00	<b>7.6</b>	4.1	<b>4.22</b>	0.00	<b>26.3</b>	17.1
	0.07		1.5		0.35		12.6
	0.14		0.60		0.70		9.9
	0.21		0.34		1.05		6.4
	0.28		0.14		1.41		4.7
<b>0.70</b>	0.00	<b>10.7</b>	6.8		2.11		2.6
	0.14		2.7		2.46		2.0
	0.35		0.81		2.81		1.3
	0.49		0.36		3.16		0.96
	0.56		0.23				
<b>1.05</b>	0.00	<b>13.1</b>	8.2	<b>4.92</b>	0.00	<b>28.4</b>	17.2
	0.35		2.1		0.35		13.5
	0.49		1.2		0.70		11.1
	0.70		0.46		1.05		8.1
	0.84		0.23		1.41		6.0
<b>1.41</b>	0.00	<b>15.2</b>	9.7		2.11		3.8
	0.35		3.8		2.81		2.2
	0.70		1.3		3.16		1.8
	0.84		0.82		3.52		1.2
	1.05		0.41		3.87		0.82
<b>1.76</b>	0.00	<b>17.0</b>	10.9	<b>5.62</b>	0.00	<b>30.3</b>	17.9
	0.35		4.9		0.35		14.6
	0.70		2.2		0.70		12.3
	1.05		0.94		1.05		10.3
	1.41		0.35		1.41		7.5
<b>2.11</b>	0.00	<b>18.6</b>	12.3		2.11		4.9
	0.35		6.4		2.81		3.3
	0.70		3.1		3.52		2.1
	1.05		1.5		4.22		1.2
	1.41		0.86		4.57		0.83
<b>2.46</b>	0.00	<b>20.1</b>	13.4	<b>6.33</b>	0.00	<b>32.2</b>	18.2
	0.35		8.7		0.35		15.4
	0.70		4.4		0.70		13.6
	1.05		2.4		1.41		9.3
	1.41		1.3		2.11		6.1
<b>2.81</b>	0.00	<b>21.4</b>	14.5		2.81		4.1
	0.35		9.2		3.52		2.7
	0.70		5.1		4.22		1.8
	1.05		3.2		4.92		1.0
	1.41		1.9		5.27		0.84
<b>3.16</b>	0.00	<b>22.7</b>	14.9	<b>7.03</b>	0.00	<b>33.9</b>	18.5
	0.35		10.1		0.35		16.6
	0.70		5.9		0.70		14.3
	1.05		4.4		1.41		10.9
	1.41		2.7		2.11		6.8
	1.76		1.8		2.81		5.1
	2.11		1.2		3.52		3.6
2.46	0.66	4.22	2.4				
<b>3.52</b>	0.00	<b>24.0</b>	15.6		4.92		1.6
	0.35		10.6		5.62		0.96
	0.70		7.5				
	1.05		4.8	0.00	19.0		
	1.41		3.6	0.35	18.1		
	1.76		2.3	0.70	15.8		
	2.11		1.6	1.41	13.0		
	2.46		1.0	2.11	8.7		
	2.81		0.64	2.81	6.5		
		3.52	5.1				
		4.22	3.6				
		4.92	2.9				
		5.62	2.0				
		6.33	1.4				
		7.03	0.87				

Copyright© 2014 REV August 2014

Mazzei Injector Company, LLC  
 500 Rooster Drive, Bakersfield, CA 93307-9555 USA

TEL 661.363.6500 • FAX 661.363.7500 • www.mazzei.net

*\*NUMBERS IN PARENTHESIS indicate the injector outlet pressure when suction stops (Zero Suction Point).*