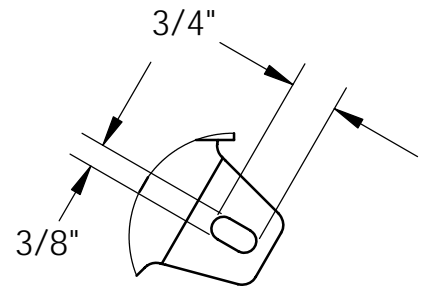
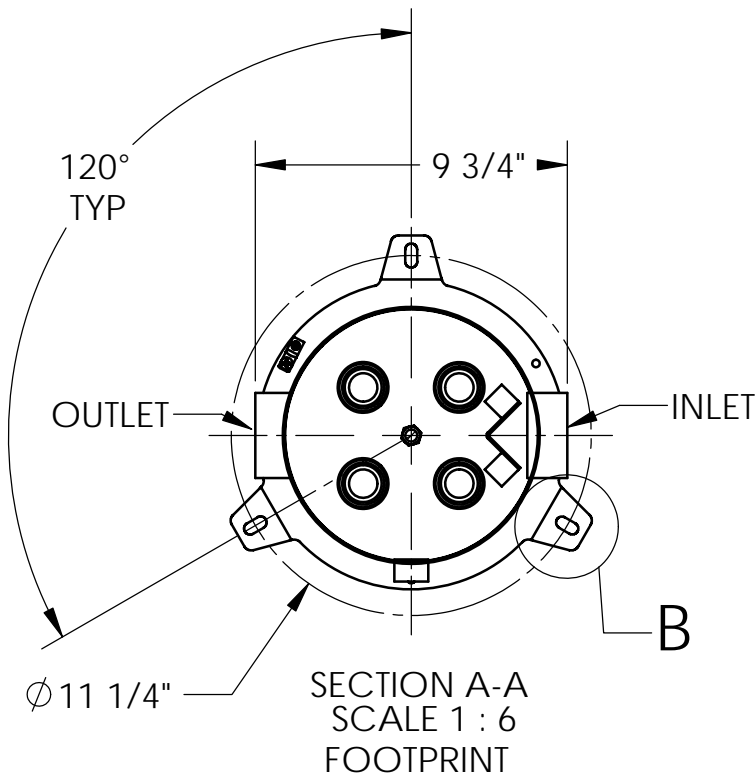
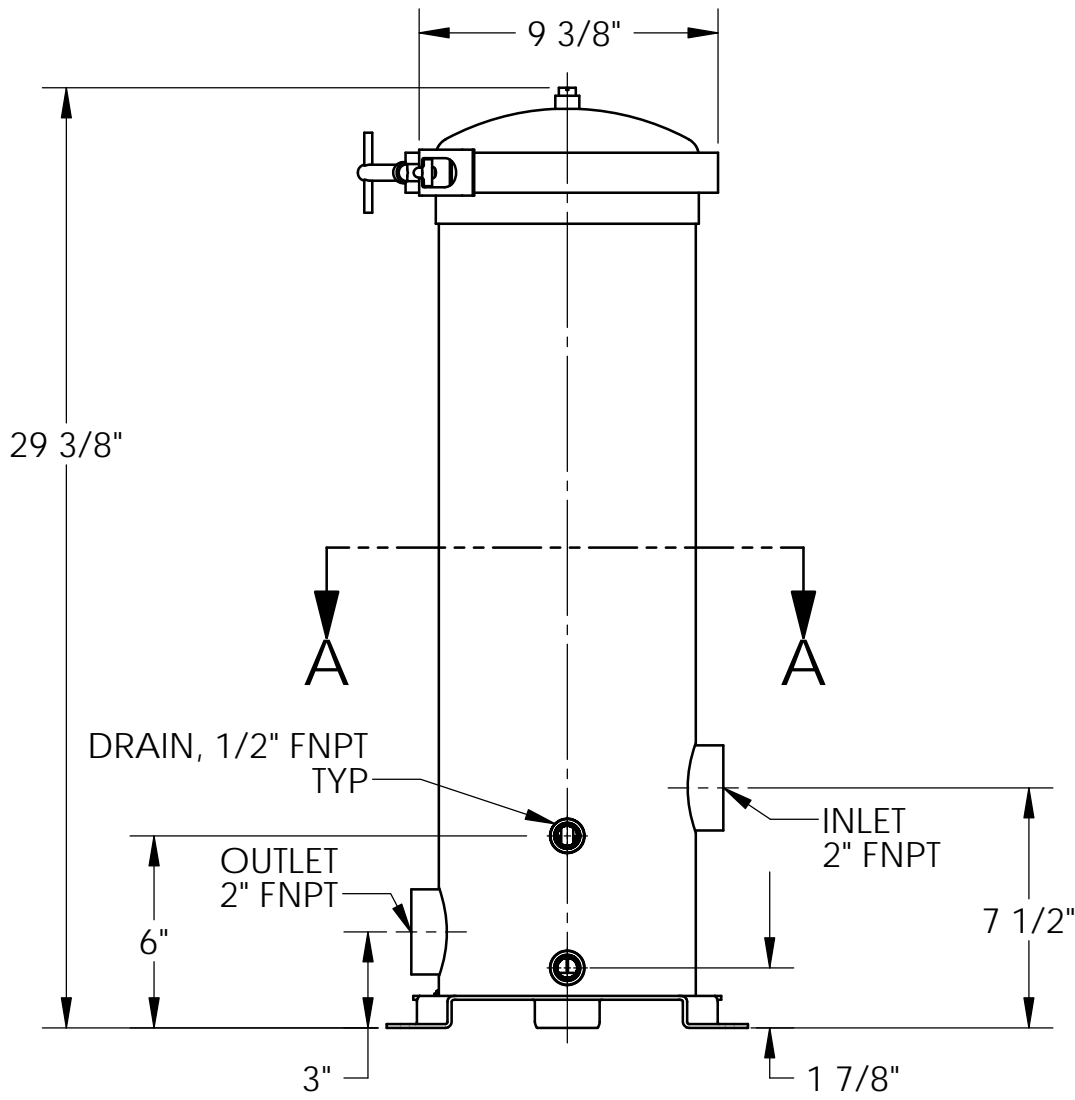


REV.	DESCRIPTION	DATE	APPROVED

ALLOW 49" FOR OVERHEAD CLEARANCE



LEG SLOT
DETAIL B
SCALE 1 : 3

HARMSCO INC.

P.O. BOX 14066 N. PALM BEACH, FL

PART NO.

PART NAME
**INSTALLATION
DIAGRAM**

SCALE
"1:6"

DRAWN ON CAD DO NOT SCALE

BC4-2-T-

APPROVALS

DATE

8/15/09

RPT

APPROVED

UNLESS OTHERWISE SPECIFIED
DIMENSIONS ARE IN INCHES
TOLERANCES ARE:
FRACTIONS DECIMALS ANGLES
+/- 1/32 +/- .010 +/- .30°

THE INFORMATION CONTAINED IN THIS DRAWING IS THE SOLE PROPERTY OF HARMSCO INC. ANY REPRODUCTION IN PART OR WHOLE WITHOUT THEIR EXPRESS WRITTEN CONSENT IS PROHIBITED.