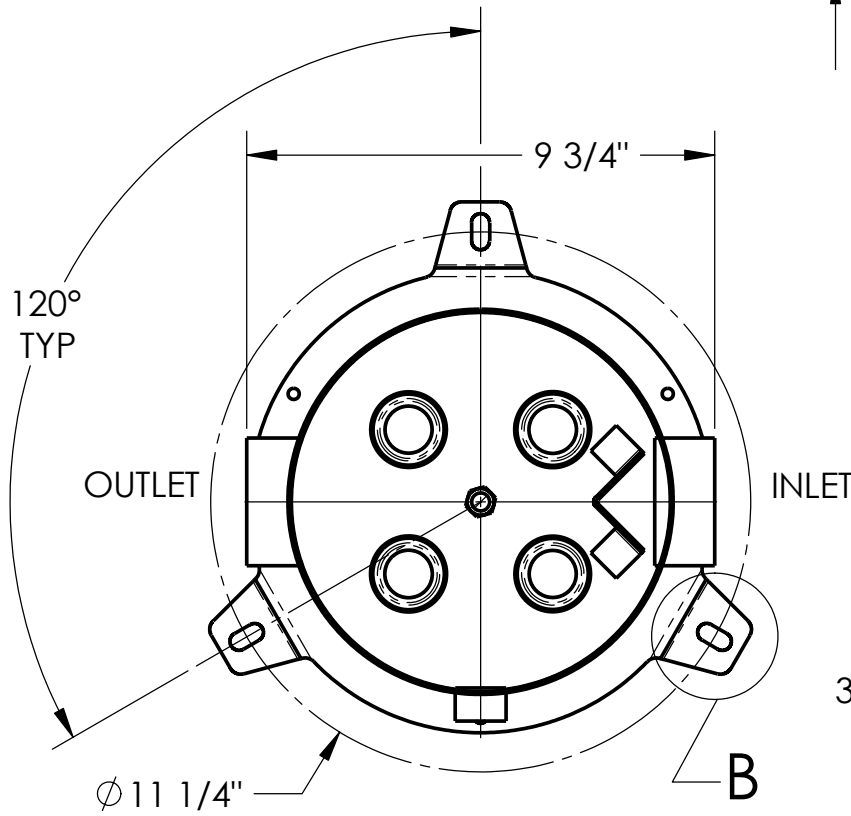
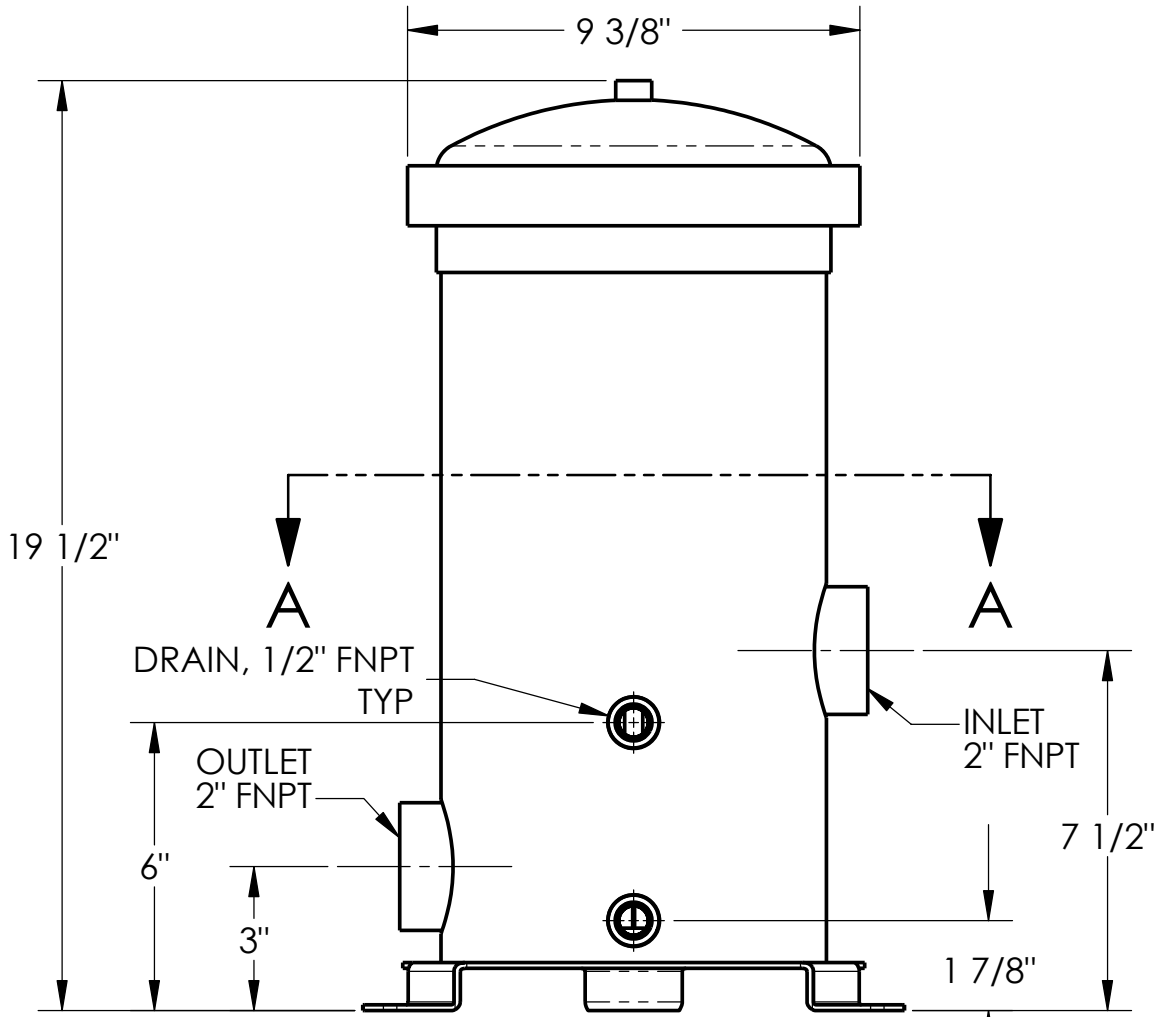
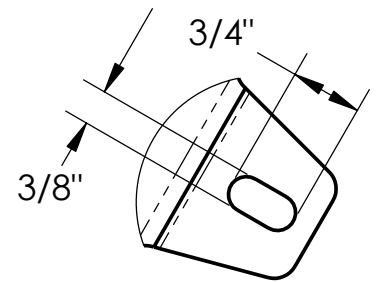


REV.	DESCRIPTION	DATE	APPROVED

ALLOW 28" FOR OVERHEAD CLEARANCE



SECTION A-A
FOOTPRINT



LEG SLOT
DETAIL B
SCALE 1 : 2

HARMSCO INC.

P.O. BOX 14066 N. PALM BEACH, FL

APPROVALS	DATE
DRAWN ID BC4-1-T-03225	8/07
APPROVED RPT	

UNLESS OTHERWISE SPECIFIED
DIMENSIONS ARE IN INCHES
TOLERANCES ARE:
FRACTIONS DECIMALS ANGLES
+/- 1/32 +/- .010 +/- .30°

SCALE
"1:4"

DRAWN ON CAD DO NOT SCALE

PART NAME
**INSTALLATION
DIAGRAM**

PART NO.
BC4-1-T-__

THE INFORMATION CONTAINED IN THIS DRAWING IS THE SOLE PROPERTY OF HARMSCO INC. ANY REPRODUCTION IN PART OR WHOLE WITHOUT THEIR EXPRESS WRITTEN CONSENT IS PROHIBITED.

file name: ID BC4-1-T-03255