

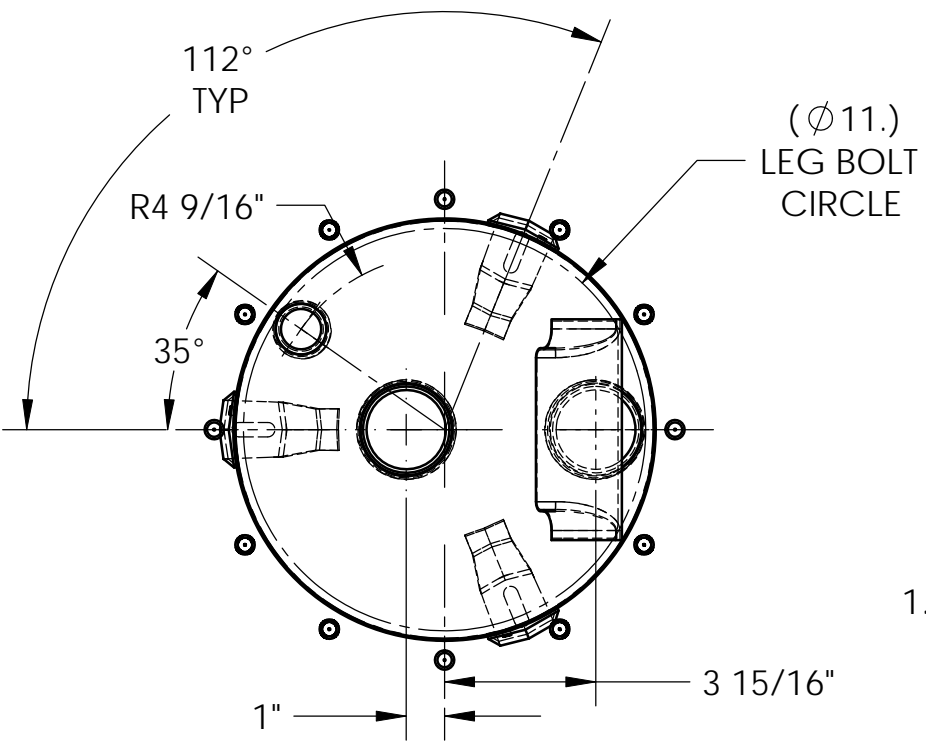
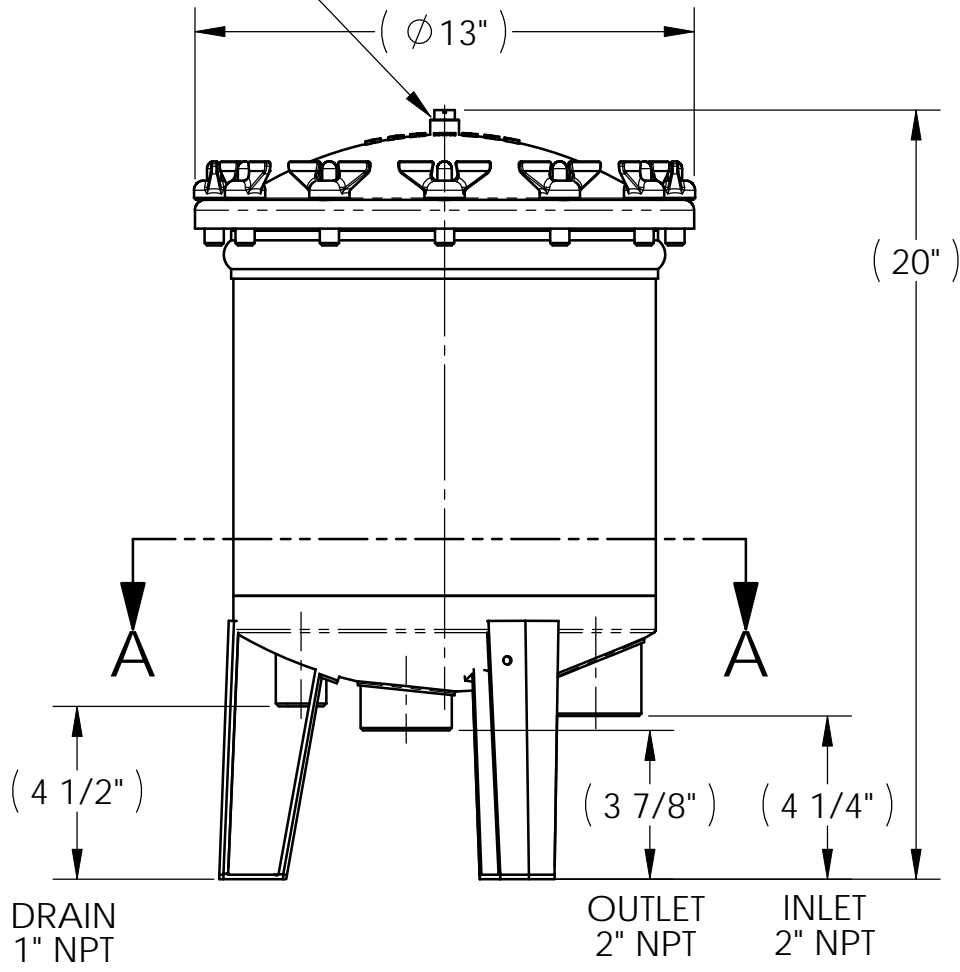
E FILE: INSTALLATION DIAGRAM- WB 40SC-2

THE INFORMATION CONTAINED IN THIS DRAWING IS THE SOLE PROPERTY OF HARMSCO INC. ANY REPRODUCTION IN PART OR WHOLE WITHOUT THEIR EXPRESS WRITTEN CONSENT IS PROHIBITED.

REV.	DESCRIPTION	DATE	APPROVED
A	ADD VENT/GAUGE PORT (ECR 708)	8/26/11	RPT

1/4" FNPT VENT/GAUGE PORT

ALLOW 41" FOR OVERHEAD CLEARANCE



SECTION A-A  
FOOTPRINT

<b>HARMSCO INC.</b> P.O. BOX 14066 N. PALM BEACH, FL		PART NO.	
		WB 40SC-2	
SCALE		PART NAME	
"1.5"		INSTALLATION DIAGRAM	
APPROVALS	DATE	UNLESS OTHERWISE SPECIFIED DIMENSIONS ARE IN INCHES TOLERANCES ARE:	
DRAWN RPT	2/08	FRACTIONS DECIMALS ANGLES	
APPROVED		+/- 1/32 +/- .010 +/- 30'	
DRAWN ON CAD DO NOT SCALE			