

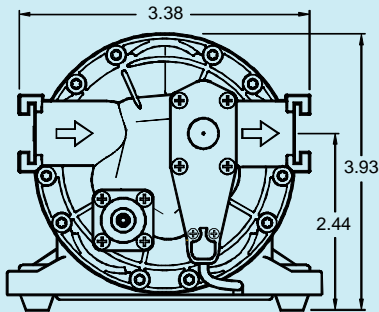
AQUAJET 550 SERIES PUMP

Model: 5502-IDN2-V77D

IDENTIFYING THE PART NUMBER:

5502-IDN2-V77D

- BASEPLATE AS SHOWN
- 115VAC MOTOR
- EMI/RFI NOISE SUPPRESSION
- BEVERAGE AND DRINKING WATER DELIVERY
- NSF OR FDA LISTED MATERIALS
- PRESSURE REGULATED AT 50 PSI
- PRESSURE SENSING MOTOR CONTROLLER
- 3.0 DEGREE CAM
- QUICK DISCONNECT PORT
- SERIES 550 PUMP



SPECIFICATIONS:

■ MOTOR:

TYPE:

115 VAC, Permanent Magnet,
Totally Enclosed, Non-Ventilated

LEADS:

18 AWG, 6' Long Power Cord

TEMP. LIMITS:

For User Safety, Optimal Performance, and
Maximum Motor Life, This Motor is Equipped with a
Thermal Protector that Limits the Motor Shell
Temperature to 160°F (71°C), as Shown on the Heat
Rise Graph.

DUTY CYCLE:

See Heat Rise Graph

■ PRESSURE CONTROLLER:

Factory Set to Approximately 50 PSI.

■ PUMP DESIGN:

5 Chamber Diaphragm Pump, Self Priming,
Capable of Being Run Dry

■ TYPICAL APPLICATION:

Beverage and Drinking Water Delivery

■ MATERIALS:

Meets NSF Requirements

PUMP HOUSINGS:

Polypropylene

VALVES:

EPDM

DIAPHRAGM:

Santoprene

FASTENERS:

Stainless Steel

CONTROLLER HOUSING:

Aluminum

■ LIQUID TEMPERATURE:

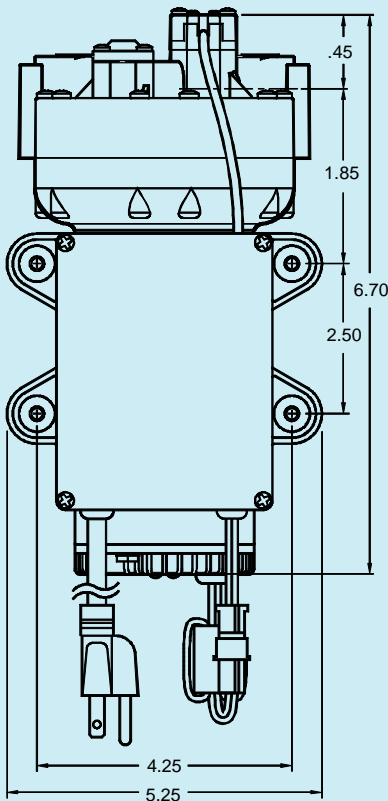
140°F (60°C) Max.

■ PRIMING CAPABILITIES:

11 Feet

■ FITTINGS:

TYPE	SHAPE	HOSE BARB SIZE		
		1/2"	5/8"	3/4"
QUICK DISCONNECT	STRAIGHT	QBS-554	QBS-555	QBS-556
QUICK DISCONNECT	ELBOW	QBE-554	QBE-555	QBE-556



WEIGHT: 8 lbs.



Aquatec Water Systems, Inc.

17422 Pullman

Irvine, CA 92614

Sales: 949-225-2200

Fax: 949-225-2222

www.aquatec.com

DOCUMENT:

DS5502-IDN2-V77D

ISSUED:

3/20/02

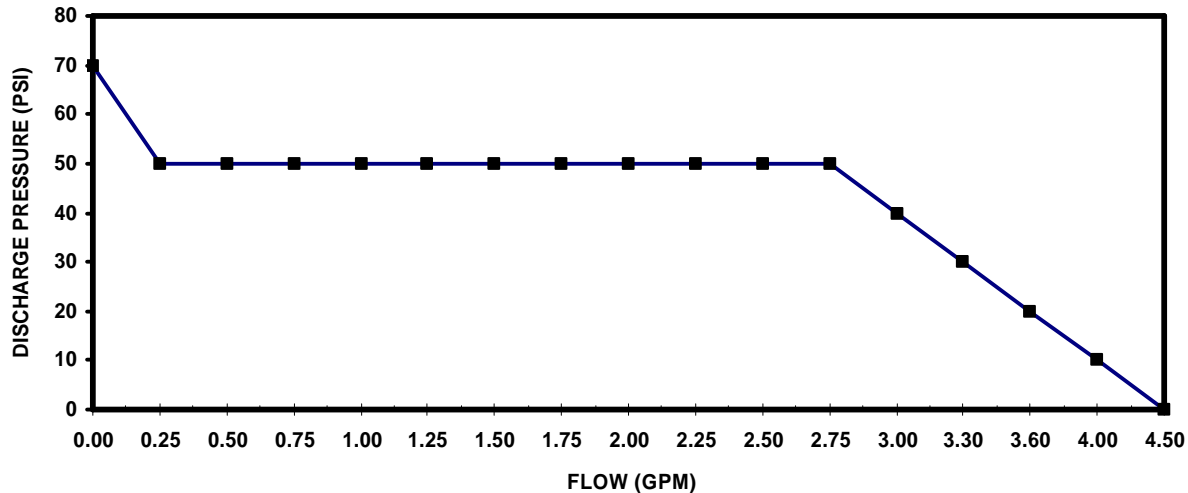
REVISED:

6/11/02

AQUAJET 550 SERIES PUMP

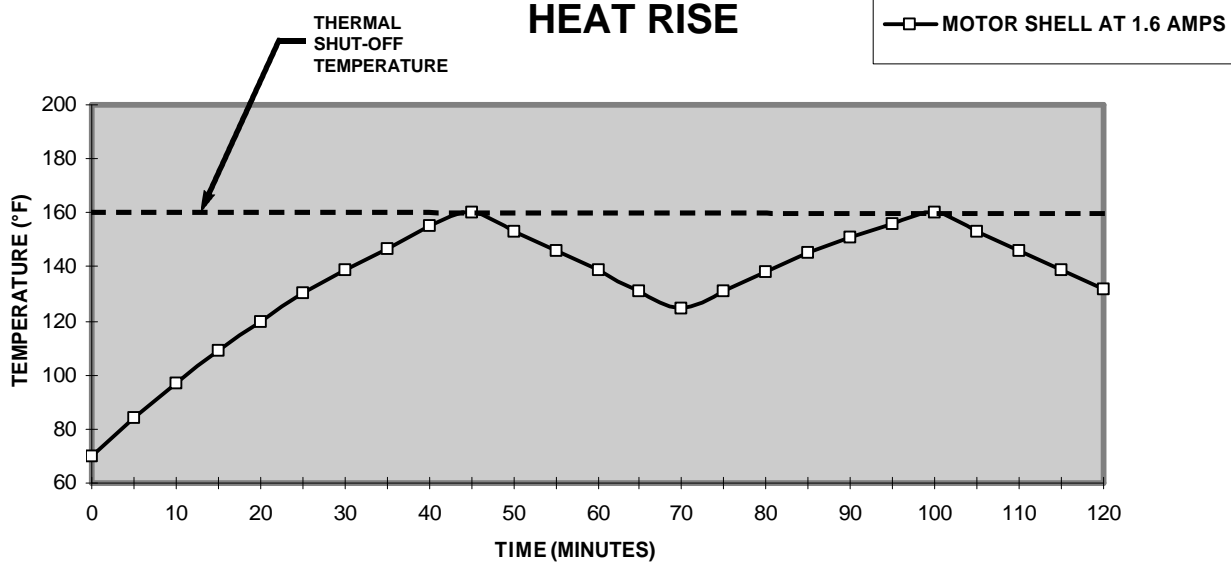
Model: 5502-IDN2-V77D

PERFORMANCE DATA



PERFORMANCE MEASURED WITH FLOODED INLET (0 PSI), 70°F (21°C) AMBIENT AND WATER TEMPERATURE, AND VOLTAGE CONTROLLED AT 115 VAC. FLOWS WERE RECORDED AFTER TEMPERATURES HAD STABILIZED. POSITIVE INLET PRESSURE WILL INCREASE THE MAXIMUM FLOW AT THE REGULATED DISCHARGE PRESSURE. MAXIMUM INLET PRESSURE IS 60 PSI.

HEAT RISE



The Aquajet 550 Series Pump is capable of sustaining continuous running for approximately 45 minutes, as shown in the above Heat Rise graph. The motor is equipped with an auto reset thermal protector that will shut down the system, allowing the components to cool. After approximately 25 minutes the pump will restart.

ALL PERFORMANCE AND HEAT RISE FIGURES ARE APPROXIMATE. ACTUAL VALUES WILL VARY WITH AMBIENT CONDITIONS.