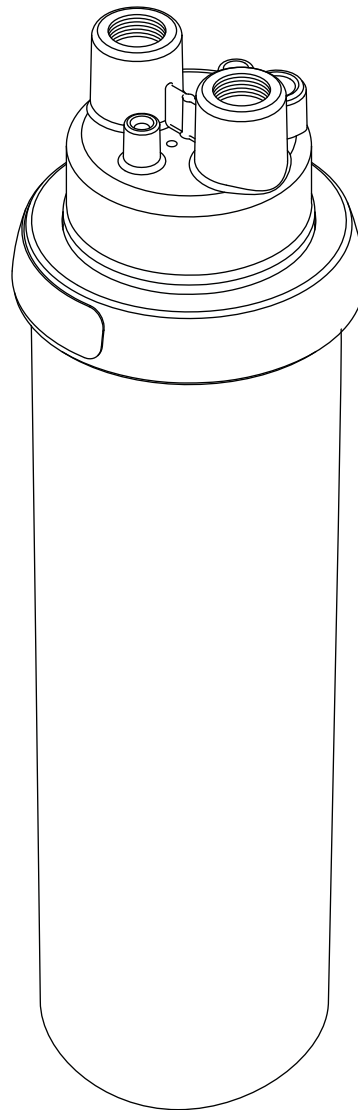


Aqua-Pure[®]

Installation and Operating Instructions For AP510 Full Flow Drinking Water System



**Installer: Please leave manual with homeowner.
Homeowner: Please retain for operation and
future maintenance instructions.**

3M


SAFETY INFORMATION

Read, understand, and follow all safety information contained in these instructions prior to installation and use of the AP510 Full Flow Drinking Water System. Retain these instructions for future reference.

Intended use:

The AP510 Full Flow Drinking Water System is intended for use in filtering potable water in homes and has not been evaluated for other uses. The system is typically installed under a sink using the existing faucet, and must be installed as specified in the installation instructions.

EXPLANATION OF SIGNAL WORD CONSEQUENCES

 WARNING	Indicates a potentially hazardous situation, which, if not avoided, could result in death or serious injury and/or property damage.
CAUTION	Indicates a potentially hazardous situation, which, if not avoided, may result in property damage.

WARNING

To reduce the risk associated with choking:

- **Do not** allow children under 3 years of age to have access to small parts during the installation of this product.

To reduce the risk associated with ingestion of contaminants:

- **Do not** use with water that is microbiologically unsafe or of unknown quality without adequate disinfection before or after the system.

To reduce the risk associated with a hazardous voltage due to an installer drilling through existing electric wiring or water pipes in the area of installation:

- **Do not** install near electric wiring or piping which may be in the path of a drilling tool when selecting the position to mount the filter bracket.

CAUTION

To reduce the risk associated with property damage due to water leakage:

- **Read and follow** Use Instructions before installation and use of this system.
- Installation and Use **MUST** comply with all state and local plumbing codes.
- **Protect from freezing**, remove filter cartridge when temperatures are expected to drop below 40°F (4.4°C).
- **Do not** install systems in areas where ambient temperatures may go above 110° F (43.3° C).
- **Do not install on hot water supply lines**. The maximum operating water temperature of this filter system is 100°F (37.8°C).
- **Do not install** if water pressure exceeds 125 psi (862 kPa). If your water pressure exceeds 80 psi (552 kPa), you must install a pressure limiting valve. Contact a plumbing professional if you are uncertain how to check your water pressure.
- **Do not install** where water hammer conditions may occur. If water hammer conditions exist you must install a water hammer arrester. Contact a plumbing professional if you are uncertain how to check for this condition.
- Where a backflow prevention device is installed on a water system, a device for controlling pressure due to thermal expansion must be installed.
- **Do not** use a torch or other high temperature sources near filter system, cartridges, plastic fittings or plastic plumbing.
- On plastic fittings, never use pipe sealant or pipe dope. Use PTFE thread tape **only**, pipe dope properties may deteriorate plastic.
- Take care when using pliers or pipe wrenches to tighten plastic fittings, as damage may occur if overtightening occurs.
- **Do not** install in direct sunlight or outdoors.
- Mount filter in such a position as to prevent it from being struck by other items used in the area of installation.
- Ensure that the location and fasteners will support the weight of the system.
- Ensure all tubing and fittings are secure and free of leaks.
- The disposable filter cartridge **MUST** be replaced ever 6 months, at the rated capacity or if a noticeable reduction in flow rate occurs.

IMPORTANT NOTES

- Failure to follow instructions will void warranty.
- Allow a minimum of 3" (7.6 cm) clear space under filter to facilitate cartridge change.
- Install with the inlet and outlet ports as labeled. Make sure not to reverse connections.
- Do not crimp copper tubing.

GETTING STARTED

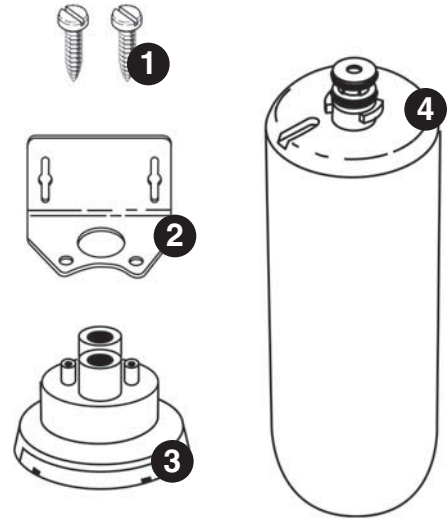
Your new Aqua-Pure® AP510 Full Flow Drinking Water System will reduce chlorine tastes and odors, particulate and scale from your drinking water. The filter installs under the sink on the cold water line and uses the existing faucet. The AP510 features its own automatic shut-off, thereby eliminating the need for any external valves. The installation procedure covered in this manual requires the removal of a section of the cold water tube. Soft copper tubing and compression fittings should be purchased locally to complete the installation.

Parts and Materials Included:

1. Two Self-tapping Screws
2. Mounting Bracket
3. Head Assembly
4. Cartridge Model AP517

Tools and Parts Required (not included):

- Choice of:
 - Two #10 Machine Screws (length to suit), Two Washers and Two #10 Machine Screw Nuts
 - OR Two #10 Sheet Metal Screws and Two Washers
 - OR Two Wood Screws
- Two 3/8" MNPT x 3/8" or 1/2" Compression Fittings Depending on Existing Plumbing
- PTFE Tape
- Adjustable Wrench
- Drill (Cordless Recommended)
- Phillips Head Screwdriver
- Razor Knife Or Tube Cutter
- 3/8" soft copper or plastic tubing, 5' length



Empty contents of package and identify all parts as shown in diagram. Read all instructions carefully before attempting to start installation. **Before starting, close shut-off valve on kitchen cold water line.**

Note: If the filter is not connected to the head assembly upon opening this carton, please refer to the "Filter Cartridge Replacement Instructions" Section, Step 3.

IMPORTANT INSTALLATION INSTRUCTIONS

1. Position the filter by holding it against the right hand side of the cabinet wall underneath the sink. Allow at least 3" (7.6 cm) beneath the filter to install cartridge. Determine a desirable location for the filter installation and inlet connection. Attach the mounting bracket to appropriate mounting bosses on filter head with the self-tapping screws supplied. (Figure 1)
2. For installation using machine screws and nuts, remove drawer from adjacent cabinet and drill two 7/32" diameter holes through cabinet wall. Fasten filter bracket to wall with screws, nuts and washers. Use washers on both sides of the wall. Mounting to the cabinet side wall gives the filter good, rigid support. (Figure 2) For installation using sheet metal screws, simply prick punch at marked location (Step 1), position bracket in place, and install screws with screwdriver.

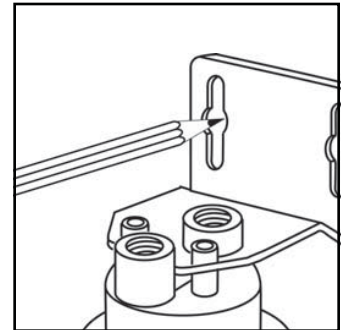


Figure 1

⚠ WARNING

To reduce the risk associated with a hazardous voltage due to an installer drilling through existing electric wiring or water pipes in the area of installation:

- **Do not** install near electric wiring or piping which may be in the path of a drilling tool when selecting the position to mount the filter bracket.

⚠ CAUTION

To reduce the risk associated with property damage due to water leakage:

- **Do not install on hot water supply lines.** The maximum operating water temperature of this filter system is 100°F (37.8°C).
- **Do not** use a torch or other high temperature sources near filter system, cartridges, plastic fittings or plastic plumbing.

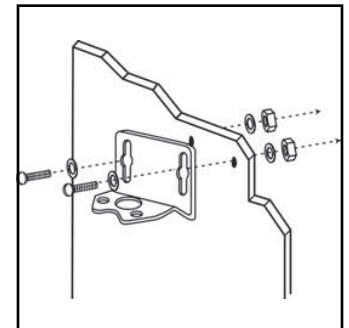


Figure 2

IMPORTANT NOTES

- Allow a minimum of 3" (7.6 cm) clear space under filter to facilitate cartridge change.

IMPORTANT INSTALLATION INSTRUCTIONS (Continued)

3. Wrap a 3" (7.6 cm) long piece of PTFE tape to the right (clockwise) around the 3/8" MNTP threads of the fittings. Wrap tightly so that it conforms to the threads of the fitting and overlaps about 1/2". (Figure 3) **Do not wrap 3/8" or 1/2" compression threads with tape.**

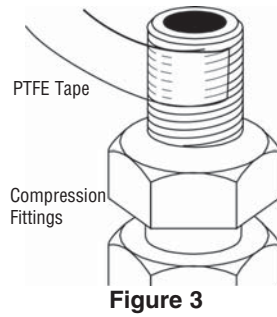


Figure 3

4. Screw one fitting into the filter outlet and the other fitting into the filter inlet (both are labeled on filter head assembly.) Tighten both fittings with a wrench. **Do not overtighten. Overtightening may result in a cartridge crack which may lead to fluid leaking** (Figure 4)

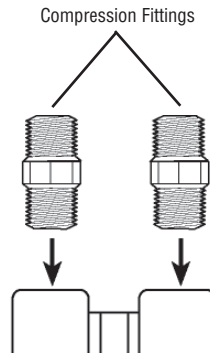


Figure 4

5. Remove the two screws at top of head assembly. Position either inlet fitting or outlet fitting through large hole in bracket and replace these two screws. Filter head is now mounted and ready for plumbing. (Figure 5)

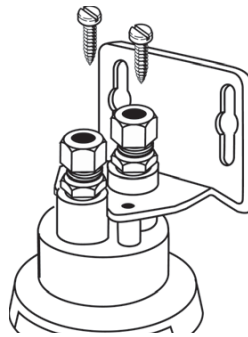


Figure 5

6. Measure down from filter inlet fitting about 1" (3 cm) and mark existing cold water tubing. From this mark, measure up 8" (20 cm) and mark tubing. This is the section of tubing to be removed. If necessary, because of tight situations, additional tubing may be cut away. (Figure 6)

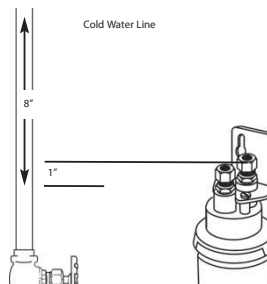


Figure 6

7. Turn off cold water supply valve and open cold water tap to relieve system pressure. Cut cold water tubing using a tube cutter or razor knife. Do not use a hacksaw, etc. Place a pan under it to catch any water present. (Figure 7)

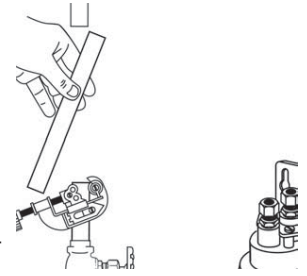


Figure 7

8. Two compression fittings are required for tube ends. Check tube size. Use 3/8" x 3/8", 1/2" x 3/8", or 5/8" x 3/8" compression fittings as required. Slip nut and ferrule on water tubing as shown and fasten fittings in place. (Figure 8)

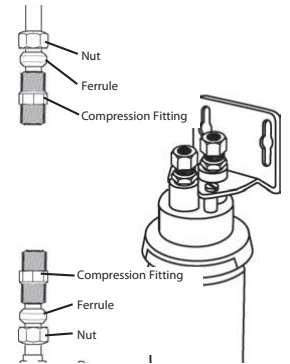


Figure 8

9. Cut two lengths of 3/8" soft copper tubing and bend to shape as shown. Bend tubing to form gentle curves rather than sharp bends. (Figure 9)

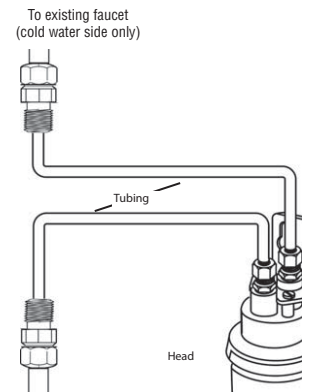


Figure 9

10. Connect both pieces of tubing to filter and water tube as shown with compression fittings. **Do not overtighten nuts.** (Figure 10)

IMPORTANT NOTE
Do not crimp copper tubing.

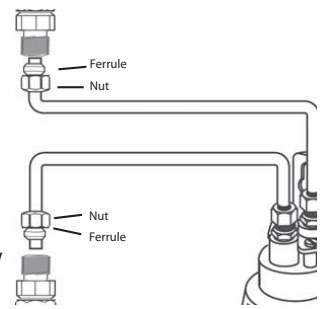


Figure 10

11. Open the cold water faucet to expel trapped air. Open the supply valve to allow water to enter the filter. If any leaks occur, close the supply valve and open the faucet to relieve the pressure, then gently tighten the fitting that is leaking. Flush at least 2 gallons through filter before use (approximately 1 minute of flushing). Water may run cloudy due to air but will clear quickly.

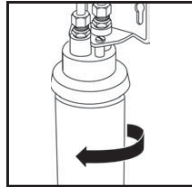
FILTER CARTRIDGE REPLACEMENT INSTRUCTIONS

CAUTION

To reduce the risk associated with property damage due to water leakage:

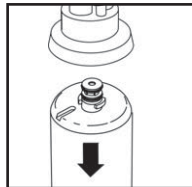
- On plastic fittings, never use pipe sealant or pipe dope. Use PTFE thread tape **only**, pipe dope properties may deteriorate plastic.
- The disposable filter cartridge **MUST** be replaced ever 6 months, at the rated capacity or if a noticeable reduction in flow rate occurs.

Replace cartridge at least every 6 months or when there is a decided decrease in water flowing from the faucet or when objectionable taste and/or odors return. Always have spare cartridges on hand.



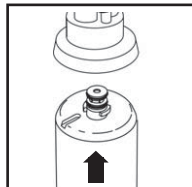
NOTE: Place pan under filter to catch small amounts of water during cartridge change.

1. Turn cartridge slowly approximately 1/4 turn to the left (counterclockwise) from the “On” position until it hits a stop, and the notch on the cartridge lines up with the word “Off” on the head. At this position, the inlet and outlet ports have been closed and the internal pressure has been relieved.



2. Pull used cartridge straight down and discard.

NOTE: There is a small amount of residual water drainage after pressure is relieved and during cartridge removal.



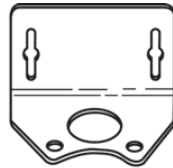
3. Push new cartridge up into head with notch on cartridge in line with the word “Off” on head. Top surface of cartridge will become flush with bottom of head when fully engaged. Turn cartridge approximately 1/4 turn to the right (clockwise) until it hits a stop, and the notch lines up with the word “On” on the head.

4. Flush at least 2 gallons through filter before use (approximately 1 minute of flushing). Water may run cloudy due to air but will quickly clear.

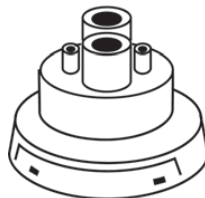
Service Flow Rate	Rated Capacity
1.75 gpm (6.6 lpm)	2,000 gallons (7,571 liters)

REPLACEMENT PARTS

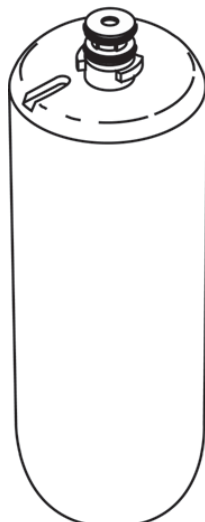
Mounting Bracket
68963-31



Head
68567-02



Filter Cartridge
AP517



LIMITED WARRANTY

Limited Warranty: 3M Purification Inc. warrants this Product will be free from defects in material and manufacture for 2 years from the date of purchase. The filter cartridge or filter membrane is warranted to be free from defects in material and manufacture for one (1) year. This warranty does not cover failures resulting from abuse, misuse, alteration or damage not caused by 3M Purification Inc. or failure to follow installation and use instructions. No warranty is given as to the service life of any filter cartridge or membrane as it will vary with local water conditions and water consumption. **3M PURIFICATION INC. MAKES NO OTHER WARRANTIES OR CONDITIONS, EXPRESS OR IMPLIED, INCLUDING, BUT NOT LIMITED TO, ANY IMPLIED WARRANTY OR CONDITION OF MERCHANTABILITY OR FITNESS FOR A PARTICULAR PURPOSE OR ANY IMPLIED WARRANTY OR CONDITION ARISING OUT OF A COURSE OF DEALING, CUSTOMER OR USAGE OF TRADE.** If the Product fails to satisfy this Limited Warranty during the warranty period, 3M Purification Inc. will replace the Product or refund your Product purchase price. This warranty does not cover labor. **The remedy stated in this paragraph is Customer's sole remedy and 3M Purification Inc.'s exclusive obligation.**

This warranty gives you specific legal rights, and you may have other rights which may vary from state to state, or country to country. For any warranty questions, please call 1-800-222-7880 or mail your request to: Warranty Claims, 3M Purification Inc., 400 Research Parkway, Meriden, CT 06450. Proof of purchase (original sales receipt) must accompany the warranty claim, along with a complete description of the Product, model number and alleged defect.

Limitation of Liability. 3M Purification Inc. will not be liable for any loss or damage arising from this 3M Purification Inc. product, whether direct, indirect, special, incidental, or consequential, regardless of the legal theory asserted, including warranty, contract, negligence or strict liability. Some states and countries do not allow the exclusion of limitation of incidental or consequential damages, so the above limitation or exclusion may not apply to you.


INFORMACIÓN DE SEGURIDAD

Lea, entienda y siga toda la información de seguridad incluida en estas instrucciones antes de instalar y utilizar el sistema de agua potable de alto flujo AP510. Guarde estas instrucciones para futuras consultas.

Uso previsto:

El sistema de agua potable de caudal completo AP510 está diseñado para filtrar agua potable en el hogar y no se ha evaluado para otros usos. El sistema se instala generalmente debajo de un lavamanos utilizando el grifo existente y se debe instalar según lo indican las instrucciones.

EXPLICACIÓN DE LAS CONSECUENCIAS DE PALABRAS/SÍMBOLOS DE ADVERTENCIA

 ADVERTENCIA	Indica una situación potencialmente peligrosa que, si no se evita, puede provocar la muerte, lesiones graves o daños a la propiedad.
PRECAUCIÓN	Indica una situación potencialmente peligrosa que, si no se evita, puede provocar daños a la propiedad.

ADVERTENCIA

Para reducir el riesgo asociado con asfixia:

- No deje las piezas pequeñas al alcance de niños menores de 3 años mientras instala el producto.

Para reducir el riesgo asociado con la ingestión de contaminantes:

- No utilice el producto con agua microbiológicamente insegura o de calidad desconocida sin desinfectar adecuadamente el sistema antes o después.

Para reducir el riesgo de voltaje peligroso debido a la perforación de un cable eléctrico o tuberías de agua existentes en el área de la instalación:

- No instale el producto cerca de cables eléctricos o tuberías que el taladro pueda tocar cuando seleccione el lugar para montar el soporte del filtro.

Para reducir el riesgo de lesiones físicas:

- Despresurice el sistema según se indica en el manual antes de quitar el cartucho.

PRECAUCIÓN

Para reducir el riesgo asociado con daños a la propiedad por pérdidas de agua:

- Lea y siga las instrucciones de uso antes de instalar y utilizar el sistema.
- La instalación y la utilización **DEBEN** cumplir con todas las normas de plomería estatales y locales.
- Evite el congelamiento, quite el cartucho del filtro cuando las temperaturas puedan ser inferiores a 40 °F (4,4 °C).
- No instale sistemas en áreas donde la temperatura ambiental puede estar por encima de los 110° F (43.3° C).
- No instale sobre tuberías de suministro de agua. La máxima temperatura del agua para el correcto funcionamiento de este sistema de filtro es 100°F (37.8°C).
- No lo instale si la presión del agua excede las 125 psi (862 kPa). Si la presión del agua excede las 80 psi (552 kPa), deberá instalar una válvula de límite de presión. Contacte a un plomero profesional si no está seguro de cómo verificar la presión del agua.
- No lo instale en lugares donde se pueda producir un golpe de ariete. Si existe la posibilidad de un golpe de ariete, instale una válvula de rosca. Contacte a un plomero profesional si no sabe cómo verificar esta condición.
- En lugares en los que hay una válvula de contraflujo instalada en el sistema de agua, se debe instalar una válvula para control de presión debido a la dilatación térmica.
- No utilice linternas ni otras fuentes de calor cerca del sistema de filtrado, accesorios o piezas plásticas de plomería ni cartuchos.
- No utilice sellador de roscas ni grasa para roscas en accesorios plásticos. Utilice **únicamente** cinta para roscas de PTFE. Las propiedades de la grasa para roscas pueden deteriorar el plástico.
- Tenga cuidado al utilizar alicates o llaves para tubos para ajustar accesorios de plástico porque pueden dañarse si los ajusta demasiado.
- No instale en lugares donde reciba luz solar directa ni a la intemperie sin protección contra la lluvia.
- Coloque el filtro en una posición en la que no sea golpeado por otros elementos utilizados en el área de instalación.
- Asegúrese de que el lugar y los sujetadores soporten el peso del sistema.
- Asegúrese de que todos los tubos y accesorios estén fijos y no tengan pérdidas.
- El cartucho del filtro desechable se **DEBE** cambiar cada 6 meses, según la capacidad indicada o si el flujo se reduce notablemente.

NOTAS IMPORTANTES

- El incumplimiento de las instrucciones puede anular la garantía.
- Deje un espacio mínimo de 3" (7,6 cm) debajo del filtro para facilitar el cambio de cartucho.
- Instale con los puertos de entrada y de salida tal como se indica en las etiquetas. Asegúrese de no invertir las conexiones.
- No doble los tubos de cobre.

INTRODUCCIÓN

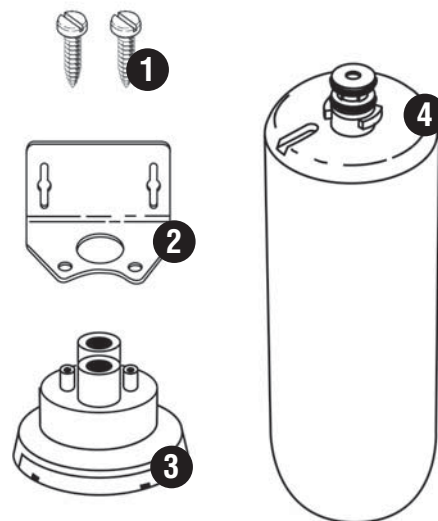
Su nuevo sistema de agua potable de alto flujo Aqua-Pura® AP510 reduce el sabor y el olor a cloro, el sedimento y el sarro del agua potable. El filtro se instala debajo del fregadero en la tubería de agua fría y utiliza el grifo existente. El AP510 cuenta con su propio sistema de cierre automático, por lo que no se requieren válvulas externas. El proceso de instalación incluido en este manual requiere la extracción de una parte del tubo de agua fría. Para poder realizar la instalación, debe comprar los tubos de cobre suave y los accesorios de compresión en su localidad.

Partes y materiales incluidos:

1. Dos tornillos autorroscantes
2. Soporte de montaje
3. Ensamblaje de la cabeza
4. Cartucho modelo AP517

Herramientas y piezas requeridas (no incluidas):

- Opción de:
Dos tornillos mecánicos N.º 10 (de la longitud apropiada), dos arandelas y dos tuercas para tornillos mecánicos N.º 10
O BIEN dos tornillos de plancha N.º 10 y dos arandelas
O BIEN dos tornillos para madera
- Dos adaptadores de compresión de 3/8" MNPT x 3/8" o 1/2", según la tubería existente
- Cintas PTFE
- Llave ajustable
- Taladro (preferentemente inalámbrico)
- Destornillador Phillips
- Cuchilla o cortador de tubos
- Tubería de cobre blando o de plástico de 3/8 de pulgada y 5 pies de largo



Vacíe el contenido del envase e identifique todas las piezas como se muestran en el diagrama. Lea todas las instrucciones atentamente antes de comenzar la instalación. **Antes de comenzar la instalación, cierre la válvula de la tubería de agua fría de la cocina.**

Nota: Si al abrir esta caja observa que el filtro no está conectado al ensamblaje de la cabeza, consulte el paso 3 de la sección "Instrucciones para cambiar el cartucho del filtro".

IMPORTANTES INSTRUCCIONES DE INSTALACIÓN

1. Coloque el filtro sujetándolo contra el lado derecho de la pared del gabinete debajo del fregadero. Deje un espacio de por lo menos 3" (7,6 cm) debajo del filtro para instalar el cartucho. Elija el lugar donde desee instalar el filtro y hacer la conexión de entrada. Acople el soporte de montaje a los salientes de montaje de la cabeza del filtro con los tornillos autorroscantes provistos. (Figura 1)
2. Si utiliza tornillos y tuercas para metales para realizar la instalación, quite el cajón del gabinete contiguo y perforo dos orificios de 7/32" de diámetro a través de la pared del gabinete. Fije el soporte del filtro a la pared con tornillos, tuercas y arandelas. Utilice arandelas en ambos lados de la pared. Montar el filtro en un lado de la pared del gabinete le da un buen soporte rígido y resistente. (Figura 2)
Si utiliza tornillos de plancha para realizar la instalación, sólo debe presionar con un punzón de marcar en el lugar señalado (Paso 1), colocar el soporte en el lugar correspondiente y luego instalar los tornillos con un destornillador.

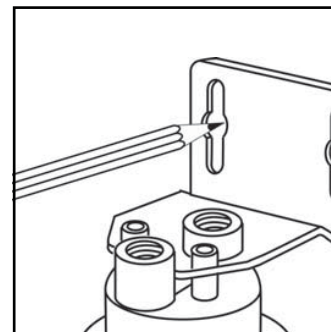


Figura 1

⚠ ADVERTENCIA

Para reducir el riesgo de voltaje peligroso debido a la perforación de un cable eléctrico o tuberías de agua existentes en el área de la instalación:

- No instale el producto cerca de cables eléctricos o tuberías que el taladro pueda tocar cuando seleccione el lugar para montar el soporte del filtro.

PRECAUCIÓN

Para reducir el riesgo asociado con daños a la propiedad por pérdidas de agua:

- No lo instale en tuberías de suministro de agua caliente. Para que el producto funcione, la temperatura máxima del agua del sistema de filtrado debe ser 100 °F (37,8 °C).
- No utilice linternas ni otras fuentes de calor cerca del sistema de filtrado, accesorios o piezas plásticas de plomería ni cartuchos.

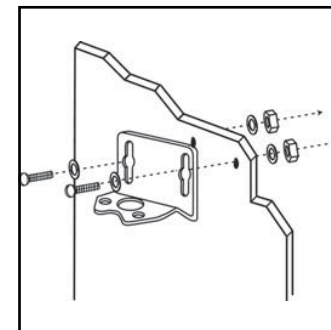


Figura 2

NOTAS IMPORTANTES

- Deje un espacio mínimo de 3" (7,6 cm) debajo del filtro para facilitar el cambio de cartucho.

IMPORTANTES INSTRUCCIONES DE INSTALACIÓN (Continuación)

3. Envuelva las roscas MNPT de 3/8" de los accesorios con trozo de cinta de PTFE de 3" (7,6 cm) de largo hacia la derecha (en sentido horario). Envuelva firmemente para que la cinta adopte la forma de las roscas de los accesorios y el diámetro de éstas aumente en 1/2" aproximadamente. (Figura 3) **No envuelva con cinta las roscas de compresión de 3/8" o 1/2".**

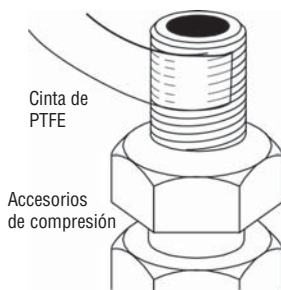


Figura 3

4. Atornille un accesorio en la salida del filtro y el otro en la entrada (ambos están rotulados en el ensamblaje de la cabeza). Ajuste ambos accesorios con una llave. **No los ajuste demasiado. Ajustarlos demasiado puede hacer que el cartucho se agriete y así ocasionar una filtración de líquido.** (Figura 4)

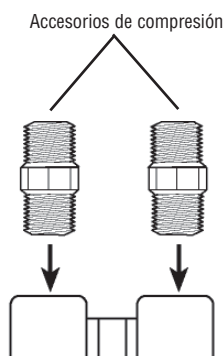


Figura 4

5. Quite los dos tornillos de la parte superior del ensamblaje de la cabeza. Coloque el accesorio de entrada o el de salida a través del orificio grande del soporte y vuelva a colocar estos dos tornillos. La cabeza del filtro ya está instalada y ya se la puede conectar a la tubería. (Figura 5)

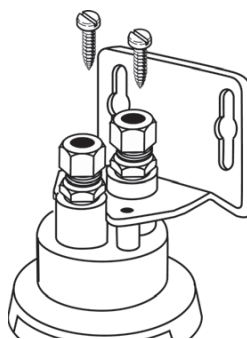


Figura 5

6. Mida hacia abajo 1" (3 cm) desde el accesorio de entrada del filtro y marque los tubos de agua fría existentes. Desde esta marca, mida hacia arriba hasta 8" (20 cm) y marque los tubos. Esta es la parte del tubo que se deberá quitar. De ser necesario, en caso de espacios reducidos, es posible que se deba cortar una sección de tubo mayor. (Figura 6)

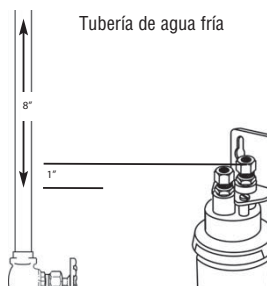


Figura 6

7. Cierre la válvula de suministro de agua fría y abra el grifo de agua fría para reducir la presión del sistema. Corte la tubería de agua fría utilizando un cortador de tubos o un cúter. No utilice una sierra para metales, etc. Coloque una bandeja debajo de éste ya que puede caer agua. (Figura 7)

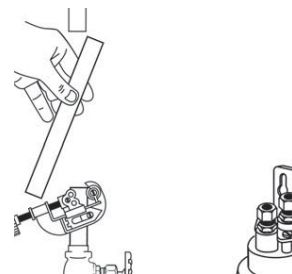


Figura 7

8. Se necesitan dos accesorios de compresión para los extremos de los tubos. Verifique el tamaño del tubo. Utilice accesorios de compresión de tamaño 3/8" x 3/8", 1/2" x 3/8" o 5/8" x 3/8", según sea necesario. Deslice la tuerca y el casquillo en el tubo de agua como se muestra y ajuste los accesorios. (Figura 8)

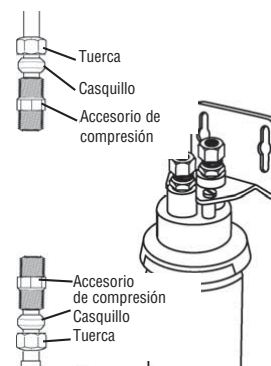


Figura 8

9. Corte dos trozos de 3/8" de tubo de cobre suave y dóblelos para darle la forma que se muestra en la figura. Doble los tubos de modo que las curvas que se formen sean suaves y no afiladas. (Figura 9)

NOTA IMPORTANTE

No doble los tubos de cobre.

10. Conecte las dos piezas de los tubos al filtro y al tubo de agua utilizando los accesorios de compresión, como se muestra en la figura. **No ajuste demasiado las tuercas.** (Figura 10)

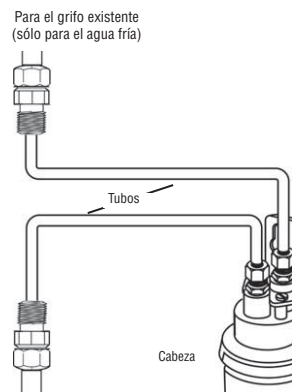


Figura 9

11. Abra el grifo de agua fría para expulsar el aire atrapado. Abra la válvula de suministro para que el agua ingrese al filtro. Si hay goteo, cierre la válvula de suministro y abra el grifo para reducir la presión y luego ajuste suavemente el accesorio que está goteando. Descargue 2 galones de agua a través del filtro antes de utilizarlo (aproximadamente 1 minuto). Puede que el agua esté turbia, pero se aclarará rápidamente.

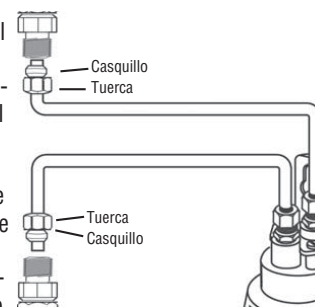


Figura 10

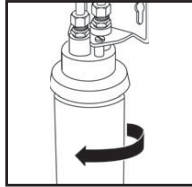
INSTRUCCIONES PARA CAMBIAR EL CARTUCHO DEL FILTRO

PRECAUCIÓN

Para reducir el riesgo asociado con daños a la propiedad por pérdidas de agua:

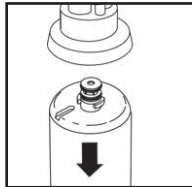
- No utilice sellador de roscas ni grasa para roscas en accesorios plásticos. Utilice **únicamente** cinta para roscas de PTFE, las propiedades de la grasa para roscas pueden deteriorar el plástico.
- El cartucho del filtro desechable se **DEBE** cambiar cada 6 meses, según la capacidad indicada o si el flujo se reduce notablemente.

Reemplace el cartucho al menos cada 6 meses o cuando haya una disminución significativa en el flujo de agua que sale del grifo o cuando vuelva a sentir sabor u olor desagradable. Tenga siempre cartuchos de repuesto disponibles.



NOTA: Coloque una bandeja debajo del filtro ya que pueden caer pequeñas cantidades de agua durante el cambio de cartucho.

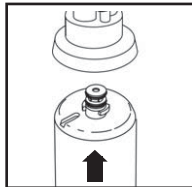
1. Gire el cartucho lentamente aproximadamente 1/4 de giro hacia la izquierda (en sentido antihorario) desde la posición "On" hasta que llegue a un tope y la ranura del cartucho esté alineada con la palabra "Off" que figura en la cabeza. En esta posición, los puertos de entrada y salida se encuentran cerrados y se ha reducido la presión interna.



2. Extraiga el cartucho usado y deséchelo.

NOTA: Luego de reducir la presión y cuando se retira el cartucho, se drena una pequeña cantidad de agua residual.

3. Coloque el nuevo cartucho en la cabeza. La ranura en la cabeza del cartucho debe estar alineada con la palabra "Off" que figura en la cabeza. La superficie superior del cartucho se alineará con la parte inferior de la cabeza cuando esté en la posición correcta. Gire el cartucho aproximadamente 1/4 de giro hacia la derecha (en sentido horario) hasta que se encuentre con un tope y la ranura del cartucho esté alineada con la palabra "On" que figura en la cabeza.

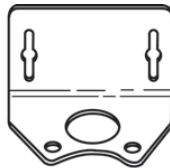


4. Abra el grifo para expulsar el aire atrapado y deje que el agua corra por 2 ó 3 minutos. Puede que el agua esté turbia debido al aire, pero se aclarará rápidamente.

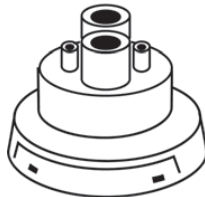
Magnitud del flujo del servicio	Vida útil del servicio
1.75 gpm (6,6 lpm)	2.000 galones (7.571 litros)

PIEZAS DE REPUESTO

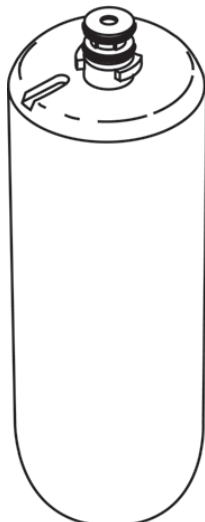
Soporte de montaje
68963-31



Cabeza
68567-02



Cartucho del filtro
AP517



GARANTÍA LIMITADA

Garantía Limitada: 3M Purification Inc. garantiza que este producto estará libre de defectos de material y fabricación por un período de 2 años desde la fecha de compra. El cartucho filtrante o la membrana del filtro están libres de defectos de material y fabricación por un período de un (1) año. Esta garantía no cubre las fallas originadas por el abuso, el uso inadecuado, la alteración o el daño no ocasionado por 3M Purification Inc. o por el incumplimiento de las instrucciones de instalación y uso. No se ofrece ninguna garantía en lo referido a la vida útil de cualquier cartucho o membrana del filtro, dado que ésta variará según las condiciones del agua local y el consumo de agua. **3M PURIFICATION INC. NO OTORGA OTRAS GARANTÍAS NI CONDICIONES, EXPRESAS NI IMPLÍCITAS, INCLUYENDO, PERO NO LIMITANDO, CUALQUIER GARANTÍA IMPLÍCITA O CONDICIÓN DE COMERCIABILIDAD O DE APTITUD PARA UN PROPÓSITO EN PARTICULAR O PARA CUALQUIER GARANTÍA IMPLÍCITA O CONDICIÓN EMERGENTE DEL CURSO DE UNA TRANSACCIÓN, COSTUMBRE O USO COMERCIAL.** Si el producto no satisface esta Garantía limitada durante el período de la garantía, 3M Purification Inc. reemplazará el producto o reembolsará el precio de compra de su producto. Esta garantía no cubre la mano de obra. **El recurso que se manifiesta en este párrafo es un recurso único del cliente y una cláusula de exclusividad de 3M Purification Inc.**

Esta garantía le otorga derechos legales específicos y es posible que usted cuente con otros derechos que pueden variar según el estado o país. Si tiene preguntas sobre la garantía, llame al 1-800-222-7880 o envíe su solicitud por correo postal a: Warranty Claims, 3M Purification Inc., 400 Research Parkway, Meriden, CT 06450. El comprobante de compra (recibo de venta original) deberá acompañar al reclamo de garantía, junto con una descripción completa del producto, el número del modelo y el supuesto defecto.

Responsabilidad Limitada. 3M Purification Inc. no será responsable de pérdidas o daños causados por este producto, tanto directos como indirectos, especiales, accidentales o derivados, independientemente de los fundamentos legales aplicados, incluyendo garantía, contrato, negligencia o responsabilidad estricta. Algunos estados y países no permiten la exclusión o la limitación de daños accidentales o derivados; en consecuencia, la limitación o la exclusión antes mencionada puede no aplicarse a su caso.


CONSIGNES DE SÉCURITÉ

Avant d'installer et d'utiliser le système d'eau potable AP510 Full Flow, s'assurer de lire, comprendre et suivre toutes les consignes de sécurité que renferme ce mode d'emploi. Conserver ce mode d'emploi pour consultation future.

Utilisation du produit :

Ce système de filtration d'eau potable à passage intégral AP510 est destiné à filtrer l'eau potable à la maison; il n'a pas été évalué pour d'autres utilisations. Ce système est généralement placé sous un évier, utilise le robinet existant et doit être installé en respectant les directives d'installation.

EXPLICATION DES CONSÉQUENCES LIÉES AUX MOTS INDICATEURS

 MISE EN GARDE	Indique une situation potentiellement dangereuse qui, si elle n'est pas évitée, pourrait entraîner la mort, des blessures graves et des dégâts matériels.
ATTENTION	Indique une situation potentiellement dangereuse qui, si elle n'est pas évitée, pourrait occasionner des dégâts matériels.

MISE EN GARDE

Afin de réduire les dangers d'étouffement :

- **Ne pas** permettre aux enfants de moins de 3 ans d'avoir accès aux petites pièces durant l'installation de ce produit.

Pour réduire les risques associés à l'ingestion de contaminants :

- **Ne pas** utiliser avec de l'eau qui n'est pas sûre au point de vue microbiologique ou de qualité incertaine sans assurer une désinfection adéquate avant ou après le système.

Afin de réduire les dangers d'électrocution causés par l'utilisation d'une perceuse pour forer à travers des câbles électriques ou des tuyaux qui se trouvent dans la zone d'installation :

- **Ne pas** installer près de câbles électriques ou de conduites d'eau susceptibles d'être endommagés par la perceuse au moment de fixer le support du filtre.

Afin de réduire les risques de blessures :

- Dépressuriser le système, tel qu'illustré dans le manuel, avant de retirer la cartouche.

ATTENTION

Afin de réduire les risques de dommages matériels associés aux fuites d'eau :

- **Lire et suivre** le mode d'emploi avant l'installation et l'utilisation de ce système.
- L'installation et l'utilisation **DOIVENT** être conformes à tous les codes gouvernementaux et de plomberie.
- **Protéger du gel** et retirer la cartouche si la température ambiante doit descendre sous les 4,4°C (40°F).
- **Ne pas installer sur la canalisation d'alimentation en eau chaude.** La température maximum de fonctionnement permise pour ce système de filtration est de 37,8°C (100°F).
- **Ne pas installer** les systèmes dans des zones où la température ambiante est supérieure à 43,3 °C (110 °F).
- **Ne pas installer** sur une conduite d'eau dont la pression est supérieure à 862 kPa (125 psi). Si la pression est supérieure à 552 kPa (80 psi), il est nécessaire d'installer une soupape de limitation de pression. En cas de doute sur la manière de vérifier la pression de l'eau, communiquer avec un plombier.
- **Ne pas** installer où des coups de bélier peuvent se produire. S'il se produit des coups de bélier, il est nécessaire d'installer un dispositif antibélier. En cas de doute sur la manière de vérifier cette situation, communiquer avec un plombier.
- Lorsqu'un dispositif de non-retour est installé sur un réseau d'alimentation en eau, un dispositif de pression de commande doit être installé à cause de la dilatation thermique.
- **Ne pas** utiliser de torche ou d'autres appareils dégageant beaucoup de chaleur près du système de filtration, des cartouches, des raccords ou de la tuyauterie en plastique.
- Ne pas utiliser de garniture d'étanchéité ou d'enduit d'enrobage avec les raccords de plastique. Utiliser uniquement du ruban d'étanchéité PTFE, car les composants de l'enduit d'enrobage sont susceptibles de détériorer le plastique.
- Faire preuve de prudence en utilisation des pinces ou clés à tuyaux pour resserrer les raccords en plastique, car un serrage excessif risque de les endommager.
- **Ne pas** installer dans un endroit exposé à la lumière directe du soleil ni à l'extérieur sans protection contre les précipitations.
- Installer le filtre dans une position le protégeant contre les risques de contact avec d'autres objets utilisés dans la zone d'installation.
- S'assurer que l'emplacement et les attaches sont adéquats pour supporter le poids du système.
- S'assurer que tous les tuyaux et raccords sont solides et exempts de fuites.
- Il **FAUT** remplacer la cartouche filtrante jetable au moins tous les 6 mois ou selon la durée de vie certifiée, ou lorsqu'on observe une réduction importante du débit.

REMARQUES IMPORTANTES

- Ne pas se conformer à ces directives pourrait annuler la garantie.
- Laisser un espace libre d'au moins 7.6 cm (3 po) sous le filtre pour faciliter le changement de la cartouche.
- Installer avec les orifices d'entrée et de sortie aux endroits indiqués sur l'étiquette. S'assurer de ne pas intervertir les raccords.
- Ne pas pincer le tuyau de cuivre.

DÉMARRAGE

Votre nouveau système d'eau potable Aqua-Pura® AP510 Full Flow réduira la présence de goût et d'odeur de chlore, ainsi que de sédiments et de tartre dans votre eau potable. Ce filtre s'installe sur le tuyau d'alimentation en eau froide, sous l'évier, et utilise le robinet existant. Le système AP510 est muni d'un dispositif d'arrêt automatique, éliminant ainsi le besoin de soupapes externes. Les directives d'installation contenues dans ce manuel impliquent le retrait d'une section du tuyau d'alimentation en eau froide. On doit acheter localement le tuyau en cuivre mou et les raccords nécessaires pour compléter l'installation.

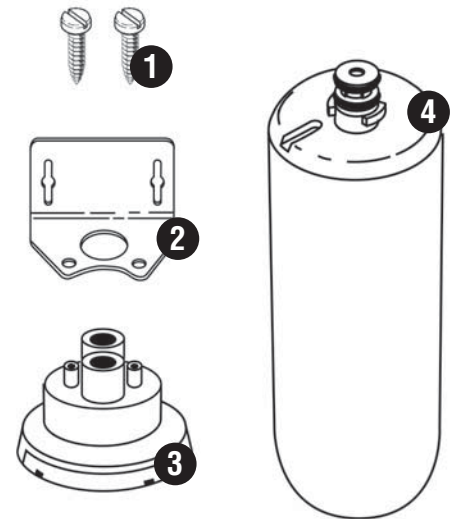
Pièces et matériel inclus

1. Deux vis autotaraudeuses
2. Support de fixation
3. Module de tête
4. Cartucho modelo AP517

Outils et pièces nécessaires (non compris) :

- Choix de :
Deux vis de mécanique no 10 (longueur à adapter), deux rondelles et deux écrous pour vis mécanique no 10
OU deux vis à tôle no 10 et deux rondelles
OU deux vis à bois
- Deux adaptateurs de raccordement à compression de 3/8 po MNPT x 3/8 po ou 1/2 po, selon la dimension des tuyaux en place
- Ruban P.T.F.E.
- Clé anglaise réglable
- Perceuse (sans fil recommandée)
- Tournevis cruciforme (Phillips)
- Longueur de 5 pi (1,52 m) de tuyau de cuivre souple ou tubulure de plastique de 3/8 po (9,52 mm)

Vider le contenu de l'emballage et repérer toutes les pièces représentées dans le schéma. Lire avec soin toutes les directives avant de commencer l'installation. **Fermer la soupape d'alimentation en eau froide de la cuisine avant de commencer.**



Remarque : Si le filtre n'est pas raccordé au module de tête à l'ouverture de cet emballage, consulter l'étape 3 de la section « Directives de remplacement de la cartouche filtrante ».

DIRECTIVES D'INSTALLATION IMPORTANTES

1. Positionner le filtre en le tenant contre le côté droit de l'armoire sous l'évier. Laisser un espace libre d'au moins 7,6 cm (3 po) sous le filtre pour permettre d'installer la cartouche filtrante. Déterminer l'endroit où seront installés le filtre et le raccordement à l'arrivée d'eau. Fixer le support de fixation aux endroits prévus à cette fin sur la tête du filtre à l'aide des vis autotaraudeuses fournies (figure 1).
2. Pour installer en utilisant les vis et écrous de mécanique, retirer le tiroir de l'armoire adjacente et percer deux trous de 5,6 mm (7/32 po) de diamètre dans la paroi de l'armoire. Fixer le support du filtre au mur à l'aide des vis, écrous et rondelles. Utiliser des rondelles des deux côtés du mur. Fixer le filtre au panneau latéral de l'armoire lui assurera un support solide et rigide (figure 2). Pour installer à l'aide des vis à tôle, faire simplement pénétrer le poinçon à l'endroit indiqué (étape 1), placer le support en place et installer les vis avec le tournevis.

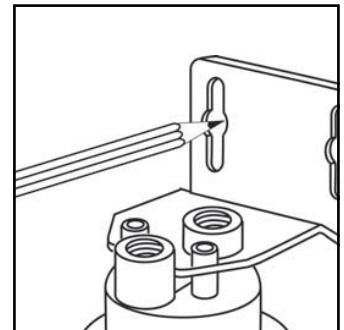


Figure 1

⚠ MISE EN GARDE

Afin de réduire les dangers d'électrocution causés par l'utilisation d'une perceuse pour forer à travers des câbles électriques ou des tuyaux qui se trouvent dans la zone d'installation :

- **Ne pas** installer près de câbles électriques ou de conduites d'eau susceptibles d'être endommagés par la perceuse au moment de fixer le support du filtre.

ATTENTION

Afin de réduire les risques de dommages matériels associés aux fuites d'eau :

- **Ne pas installer sur la canalisation d'alimentation en eau chaude.** La température maximum de fonctionnement permise pour ce système de filtration est de 37,8°C (100°F).
- **Ne pas** utiliser de torche ou d'autres appareils dégagant beaucoup de chaleur près du système de filtration, des cartouches, des raccords ou de la tuyauterie en plastique.

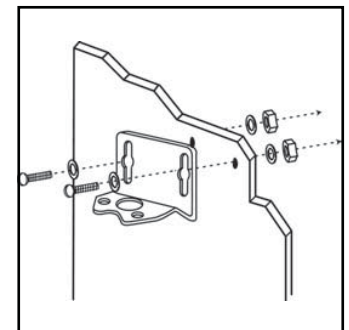


Figure 2

REMARQUES IMPORTANTES

- Laisser un espace libre d'au moins 7,6 cm (3 po) sous le filtre pour faciliter le changement de la cartouche.

DIRECTIVES D'INSTALLATION IMPORTANTES (suite)

3. Enrouler une longueur de ruban de PTFE de 7,6 cm (3 po) de gauche à droite (dans le sens des aiguilles d'une montre) autour du filetage de 3/8 MNTP des raccords à compression. Bien resserrer afin qu'il épouse le filetage du raccordement et recouvre environ 1,3 cm (1/2 po) (figure 3). **Ne pas entourer les raccords à compression de 3/8 po ou de 1/2 po de ruban.**

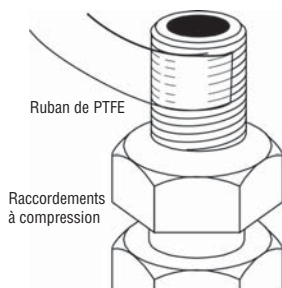


Figure 3

4. Visser un raccordement dans la sortie du filtre et l'autre dans l'entrée du filtre (les deux sont identifiés sur le module de tête du filtre). Resserrer les deux raccords à l'aide d'une clé. **Ne pas trop serrer. Trop serrer peut endommager la cartouche et causer des fuites** (figure 4)

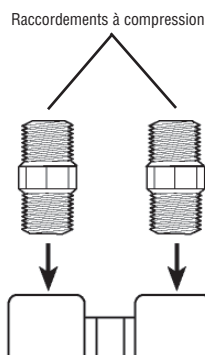


Figure 4

5. Retirer les deux vis supérieures du sommet du module de tête. Placer soit le raccordement d'entrée ou celui de sortie dans le gros orifice du support et replacer ces deux vis. La tête du filtre est maintenant fixée et prête à être raccordée à la tuyauterie (figure 5).

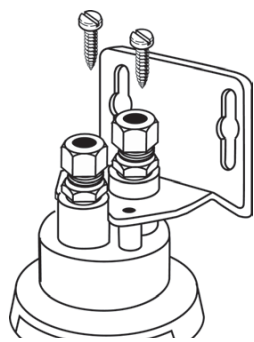


Figure 5

6. Mesurer environ 2,5 cm (1 po) vers le bas à partir du raccordement de l'entrée du filtre et faire une marque sur le tuyau d'eau froide existant. À partir de cette marque, mesurer 20 cm (8 po) vers le haut, et faire une autre marque. Cela indique la portion du tuyau à retirer. Si nécessaire en raison d'un manque d'espace de travail, on peut couper une plus grande longueur de tuyau (figure 6).

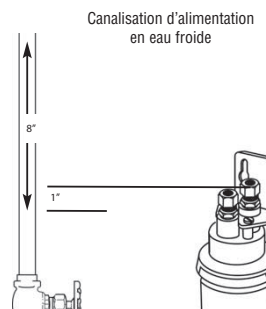


Figure 6

7. Couper l'alimentation en eau froide et ouvrir le robinet afin d'évacuer la pression du système. Couper la tubulure d'eau froide en utilisant un couteau ou couteau à lame escamotable. Ne pas utiliser de scie à métaux, etc. Placer un récipient sous le tuyau pour recueillir l'eau qui pourrait s'écouler (figure 7).

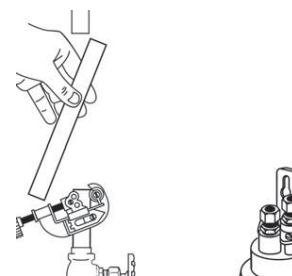


Figure 7

8. Deux raccords à compression doivent être placés aux extrémités du tuyau. Vérifier la taille du tuyau. Utiliser des adaptateurs de raccordement à compression de 3/8 po x 3/8 po, 1/2 po x 3/8 po ou 5/8 po x 3/8 po au besoin. Faire glisser l'écrou et la bague d'extrémité sur le tuyau d'eau tel qu'illustré et fixer les raccords en place (figure 8).

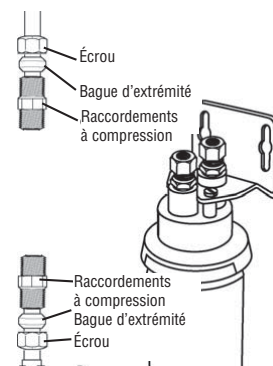


Figure 8

9. Couper deux longueurs de tuyau de cuivre mou de 3/8 po et plier pour donner la forme illustrée. Plier le tube de manière à former des courbes douces plutôt que des angles aigus (figure 9).

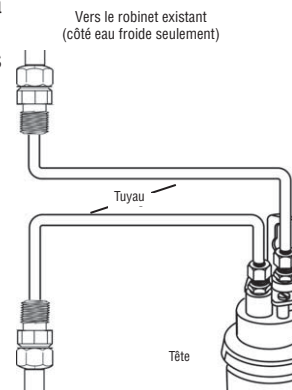


Figure 9

10. Raccorder les deux bouts du tuyau au filtre et au tuyau d'eau à l'aide des raccords à compression. **Ne pas trop serrer les écrous** (figure 10).

REMARQUE IMPORTANTE
Ne pas pincer le tuyau de cuivre.

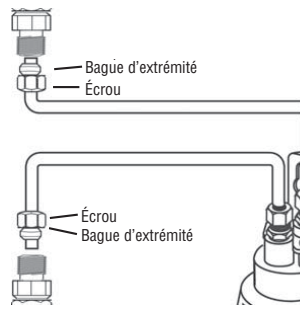


Figure 10

11. Ouvrir le robinet d'eau froide pour expulser l'air. Ouvrir la soupape d'alimentation pour permettre à l'eau de pénétrer dans le filtre. En cas de fuite, refermer la soupape d'alimentation et ouvrir le robinet pour laisser échapper la pression avant de resserrer doucement le raccordement d'où provient la fuite. Faire couler 2 gallons (7,5 L) par le filtre avant d'utiliser (environ 1 minute). Il est possible que l'eau soit brouillée, mais elle deviendra claire rapidement.

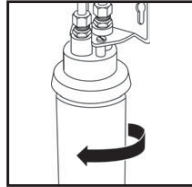
DIRECTIVES DE REMPLACEMENT DE LA CARTOUCHE FILTRANTE

ATTENTION

Afin de réduire les risques de dommages matériels associés aux fuites d'eau :

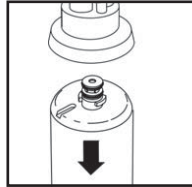
- Ne pas utiliser de garniture d'étanchéité ou d'enduit d'enrobage avec les raccords en plastique. Utiliser **uniquement** du ruban d'étanchéité PTFE, car les composants de l'enduit d'enrobage sont susceptibles de détériorer le plastique.
- Il **FAUT** remplacer la cartouche filtrante jetable au moins tous les 6 mois ou selon la durée de vie certifiée, ou lorsqu'on observe une réduction importante du débit.

Remplacer la cartouche au moins tous les six mois ou lorsque le débit d'eau est nettement moins important ou lorsque l'eau qui s'écoule dégage un goût moins agréable ou que les odeurs réapparaissent. Conserver toujours des cartouches de rechange en réserve.

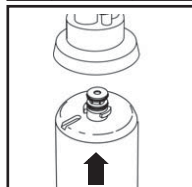


REMARQUE : Placer un récipient sous le filtre afin de recueillir le peu d'eau qui pourrait s'échapper lors du changement de cartouche.

1. Tourner lentement la cartouche 1/4 de tour vers la gauche (dans le sens antihoraire) de la position de marche « On » jusqu'à ce qu'elle rencontre une résistance, et que l'encoche de la cartouche soit alignée avec le mot « Off » sur la tête. Dans cette position, les orifices d'entrée et de sortie sont fermés et la pression interne a été évacuée.



2. Tirer sur la cartouche usagée directement vers le bas et la mettre au rebut.
REMARQUE : Une petite quantité d'eau s'écoulera du tuyau après la décompression et au cours du changement de cartouche.



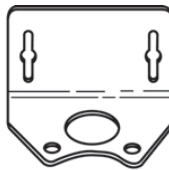
3. Pousser la nouvelle cartouche dans la tête en alignant l'encoche de la cartouche au mot « Off » apparaissant sur la tête. Lorsque la cartouche sera bien installée, la surface supérieure de la cartouche se retrouvera au même niveau que le bas de la tête. Tourner lentement la cartouche 1/4 de tour vers la gauche (dans le sens horaire) jusqu'à ce qu'elle rencontre une résistance, et que l'encoche de la cartouche soit alignée avec le mot « On » sur la tête.

4. Ouvrir la soupape d'arrêt pour évacuer l'air et laisser l'eau couler pendant 2 à 3 minutes. Il est possible que l'eau soit brouillée en raison de la présence d'air, mais elle deviendra claire rapidement.

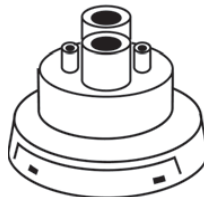
Débit de fonctionnement normal	Durée de vie utile
1.75 gpm (6,6 lpm)	7 571 litres (2 000 gallons)

PIÈCES DE RECHANGE

Support de fixation
68963-31



Tête
68567-02



Cartouche filtrante
AP517



GARANTIE LIMITÉE

Garantie limitée : 3M Purification Inc. garantit que ce Produit est exempt de défauts de matériaux et de fabrication pendant 2 ans à compter de la date d'expédition. La cartouche ou membrane filtrante est garantie contre les défauts de matériaux et de fabrication pendant un (1) an. Cette garantie ne couvre pas les défauts occasionnés par une utilisation abusive ou le mésusage, l'altération ou le dommage non occasionné par 3M Purification Inc. ou le défaut de respecter les instructions d'installation et d'utilisation. Aucune garantie n'est fournie pour la durée de vie utile de toute cartouche filtrante ou membrane à cause des conditions d'eau locales ou des quantités d'eau consommées. **3M PURIFICATION Inc. N'OFFRE AUCUNE AUTRES GARANTIE OU CLAUSE EXPLICITES OU IMPLICITES, Y COMPRIS, MAIS SANS S'Y LIMITER, TOUTE GARANTIE OU CLAUSE IMPLICITE DE QUALITÉ MARCHANDE OU D'ADAPTATION À UN USAGE PARTICULIER, OU TOUTE GARANTIE OU CLAUSE IMPLICITE DÉCOULANT DE LA CONDUITE DES AFFAIRES, DES PRATIQUES COURANTES ET DES USAGES DU COMMERCE.** Si une déféctuosité du Produit survient pendant la période couverte par la garantie limitée, 3M Purification Inc. remplacera le produit ou remboursera le prix d'achat du Produit. **Cette garantie ne couvre pas la main d'oeuvre. Le recours énoncé dans ce paragraphe est le seul recours offert au client et l'obligation exclusive de 3M Purification Inc.**

Il est possible que l'utilisateur ait d'autres droits à cet égard, lesquels peuvent varier d'une province à une autre ou d'un pays à un autre. Pour toutes questions au sujet de la garantie, veuillez appeler au 1-800-222-7880 ou postez votre demande à : Réclamations de garantie, 3M Purification Inc., 400 Research Parkway, Meriden, CT 06450. Une preuve d'achat (reçu de caisse original) doit accompagner la réclamation au titre de la garantie ainsi qu'une description complète du produit, le numéro de modèle et le défaut allégué.

Limite de responsabilité. 3M Purification Inc. n'est pas responsable pour toute perte ou tout dommage direct, indirect, particulier, accessoire ou accidentel suivant l'utilisation de ces Produits, peu importe l'affirmation de théorie juridique, y compris la violation de garantie, la responsabilité contractuelle, la négligence ou la responsabilité stricte. Certaines provinces et certains pays ne permettent pas l'exclusion ou la limitation de responsabilité pour les dommages fortuits ou conséquents. Dans un tel cas, la clause d'exclusion ou de limitation ci-dessus ne s'applique pas.

NOTES/NOTAS/NOTES:



3M Purification Inc.
400 Research Parkway
Meriden, CT 06450 USA
Toll Free: 1-800-222-7880
Worldwide: 203-237-5541
Fax: 203-238-8701
www.aquapure.com • www.3mpurification.com

3M is a trademark of 3M Company.
Aqua-Pure is a trademark of 3M Company used under license.
© 2011 3M Company. All rights reserved.
INSTR2002 1111